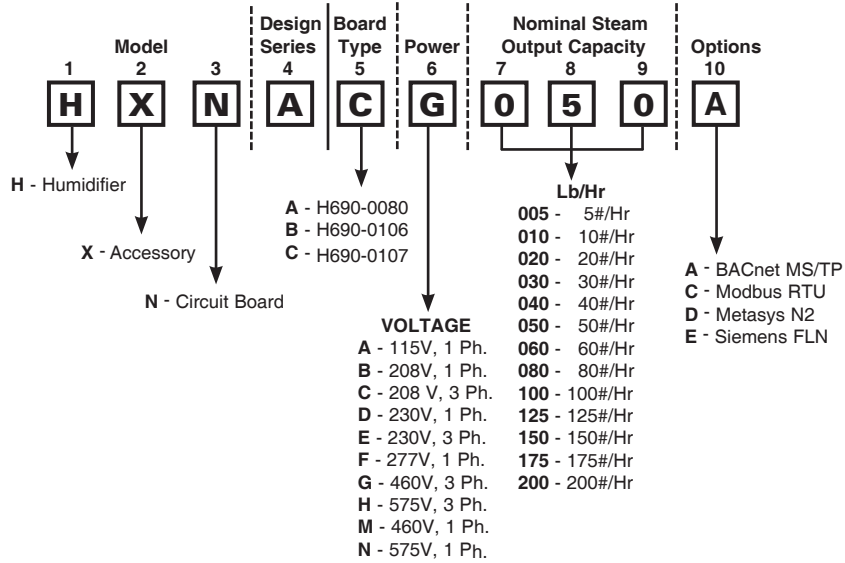


**When ordering replacement Circuit Boards, you will have to follow the below model number ordering system:**

### CIRCUIT BOARD



### HUMIDIFIER MODELS:

#### G Series

H\_AG  
H\_DG  
H\_GG  
H\_HG

A = H690-0080

#### H Series

H\_AH  
H\_DH  
H\_GH  
H\_HH

B = H690-0106  
C = H690-0107 with CarnesLink

### Notes:

- Option 10 is for H690-0107 CarnesLink board only.
- H690-0107 control board comes with a conformal coating protecting electronic components on the board from moisture, extreme temperatures and corrosion.