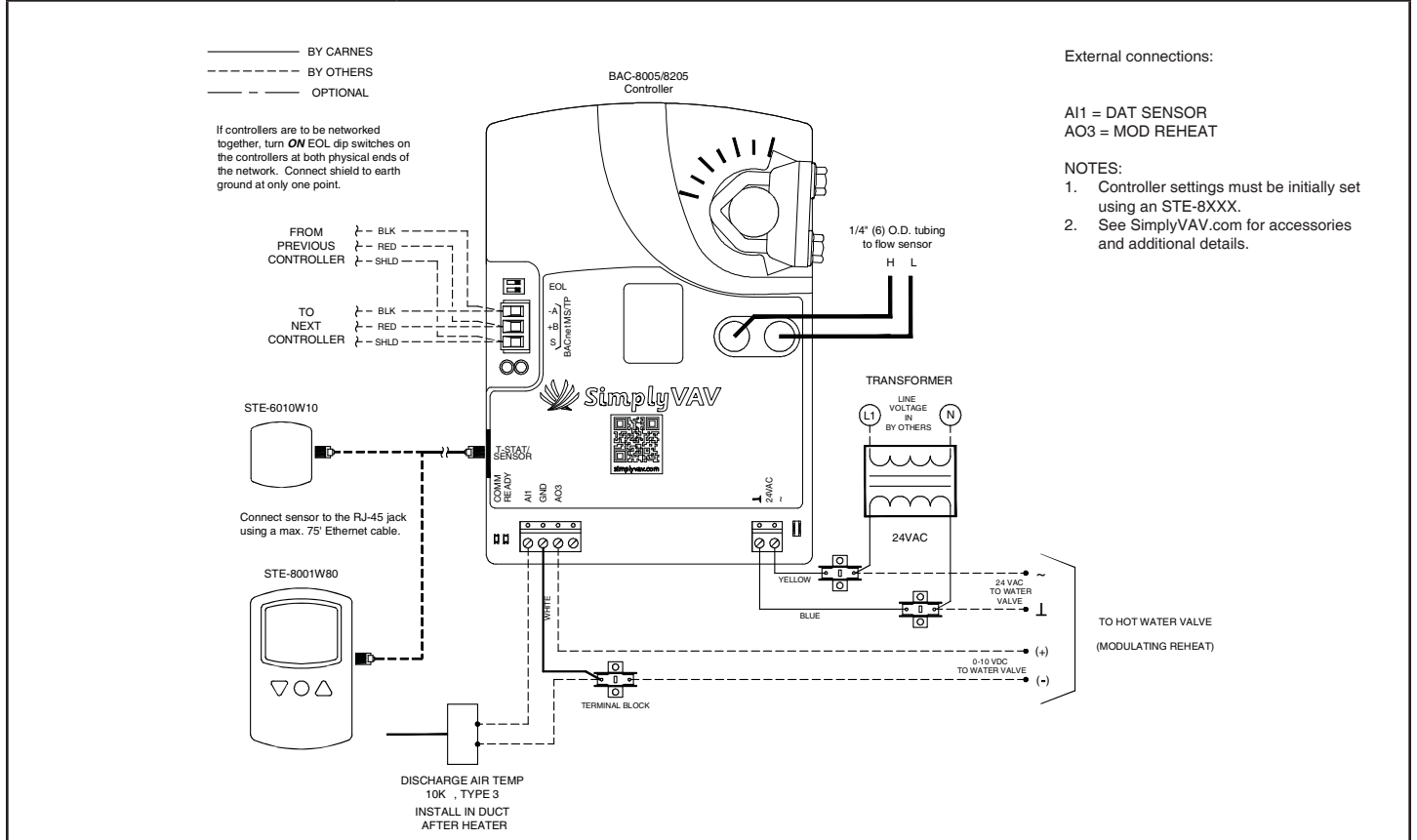


CARNES COMPANY 448 S. Main St., P. O. Box 930040, Verona, WI 53593-0040 Phone: (608)845-6411 Fax: (608)845-6504 www.carnes.com



SEQUENCE OF OPERATION:

1. Changeover: If the discharge air temperature (DAT) drops below 72°F, cool air is said to be available. As the DAT rises above 76°F, warm air is said to be available. Any time warm air is available, auxiliary heat is locked out.
2. Cool air available: As space temperature rises above the cooling setpoint, the controller increases airflow. At a space temperature of 2°F above the cooling setpoint, maximum cooling airflow is maintained. On a decrease in space temperature, the controller reduces airflow. From cooling setpoint, minimum cooling airflow is maintained. If the temperature drops further and heating is required, the auxiliary flow rate is maintained.
3. Warm air available: As space temp drops below the heating setpoint, the controller increases airflow. At a temperature 2°F below the heating setpoint, maximum heating airflow is maintained. On an increase in space temperature, airflow decreases. As space temperature rises above the heating setpoint, minimum heating airflow is maintained.
4. As the space temp drops below the heating setpoint, the heating output modulates open. As the space temp rises back toward the heating setpoint, the heating loop is less than 10%, the heating output remains at zero percent.
5. If DAT limiting is enabled and a DAT sensor is detected, the discharge air reheat setpoint is determined based on the heating loop. The discharge air setpoint is limited to a maximum of 15°F above space temperature.

CONTROL DIAGRAM

