

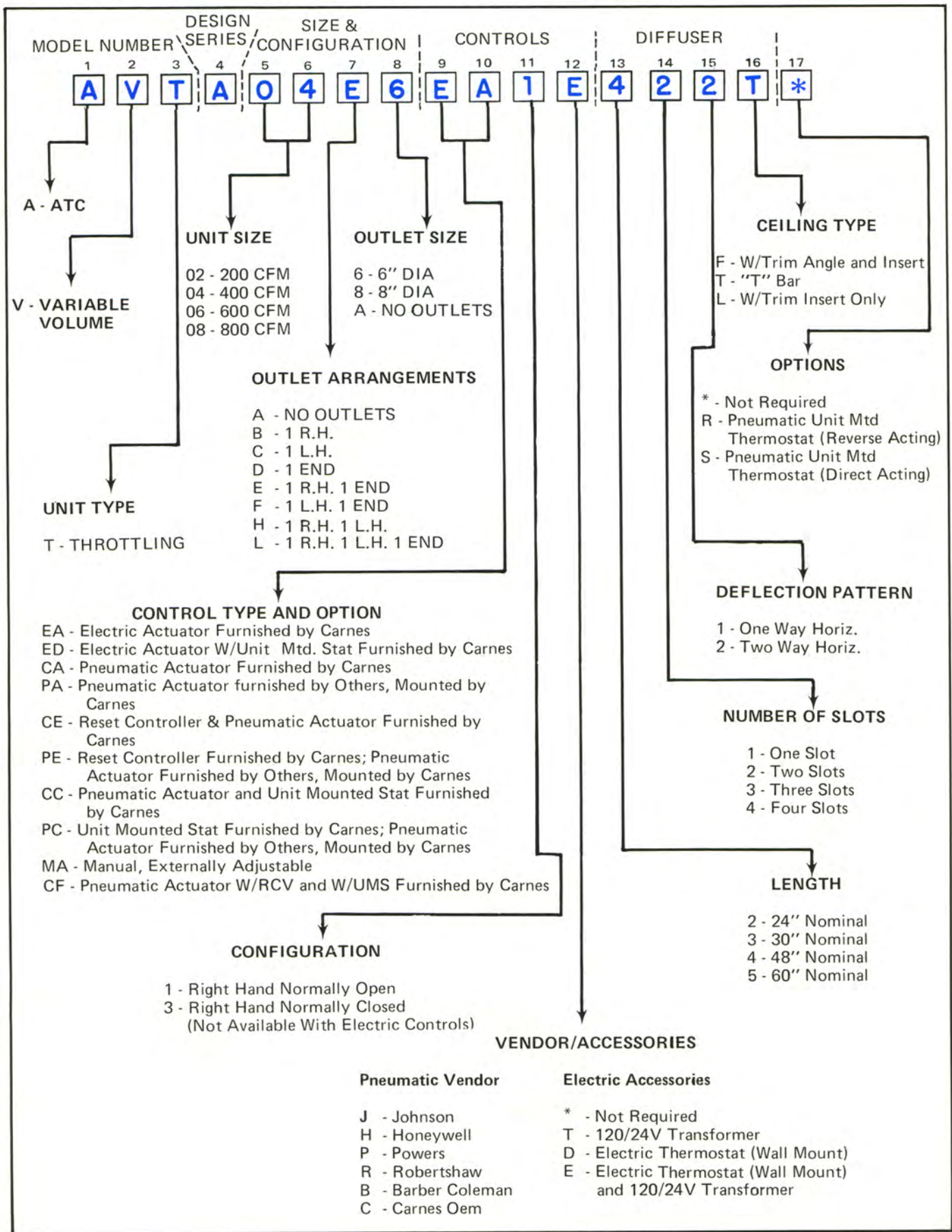
The Carnes Model AVTA is basically the AVCA throttling valve. A slot diffuser and balancing damper are integral with the unit eliminating the cost of ducting to one diffuser. The slot diffuser is generally accepted as the best diffuser choice for VAV applications.

By use of the patented throttling valve, this unit offers low pressure drop, low sound levels, and linear valve characteristics which create stable control conditions within the conditioned space.

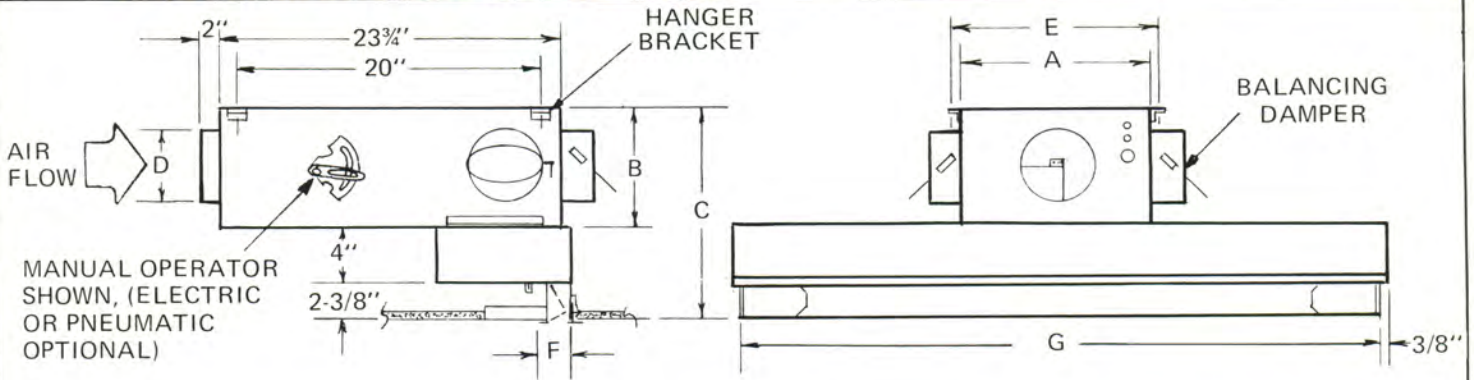
Other features include:

- Air flow capacities to 800 CFM.
- Pneumatic, electric, or manual damper control.
- Thermally and acoustically insulated casing.
- Slot diffuser – Choice of 1-4 slots; choice of 2-5 foot lengths; choice of 1 or 2 way throw.
- Suitable for T-bar and flush ceilings.
- As an option, unit mounted pneumatic or electric aspirating thermostat with adjustable set point through diffuser slots.
- Multi-discharge units have round or elliptical outlet connections with integral balancing dampers.
- Air flow sensor at inlet of unit.
- Hanger brackets for easy mounting characteristics.

Model Numbering System — AVTA Externally Powered



1-WAY BLOW INTEGRAL SLOT DIFFUSER



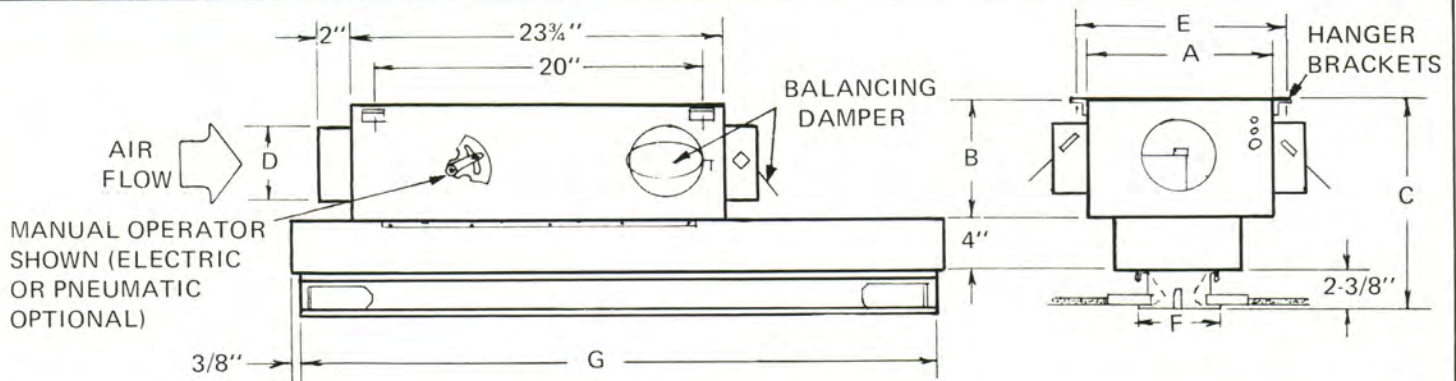
Unit Size	CFM	A	B	C	D	E	Diffuser	Nominal CFM	F	G	OUTLET ARRANGEMENT TOP VIEW			
											Unit Size	Outlet	Outlet	Outlet
02	200	13	8	14-3/8	5	14	211	100	2	23-1/16				
							221	200	3-9/16	23-1/16				
04	400	13	8	14-3/8	6	14	231	300	5-5/32	23-1/16				
							311	125	2	29-1/16				
06	600	14	10	16-3/8	7	15	321	250	3-9/16	29-1/16				
							331	400	5-5/32	29-1/16				
08	800	17	10	16-3/8	8	18	411	200	2	47-1/16				
							421	400	3-9/16	47-1/16				
							431	600	5-5/32	47-1/16				
							511	250	2	59-1/16				
							521	400	3-9/16	59-1/16				
							531	600	5-5/32	59-1/16				

NOTE:

THREE SLOT DIFFUSERS AVAILABLE ONLY WITH SIZES 06 AND 08

8 Indicates 8" Elliptical
6 Indicates 6" Round
8 Indicates 8" Round

2-WAY BLOW INTEGRAL SLOT DIFFUSER



Unit Size	CFM	A	B	C	D	E	Diffuser	Nominal CFM	F	G	OUTLET ARRANGEMENT TOP VIEW			
											Unit Size	Outlet	Outlet	Outlet
02	200	13	8	14-3/8	5	14	222	200	4-5/32	23-1/16				
							232	300	5-3/4	23-1/16				
04	400	13	8	14-3/8	6	14	242	400	7-11/32	23-1/16				
							322	250	4-5/32	29-1/16				
06	600	14	10	16-3/8	7	15	332	400	5-3/4	29-1/16				
							342	500	7-11/32	29-1/16				
08	800	17	10	16-3/8	8	18	422	400	4-5/32	47-1/16				
							432	600	5-3/4	47-1/16				
							442	800	7-11/32	47-1/16				
							522	500	4-5/32	59-1/16				
							532	600	5-3/4	59-1/16				
							542	800	7-11/32	59-1/16				

NOTE:

THREE AND FOUR SLOT DIFFUSERS AVAILABLE ONLY WITH SIZES 06 AND 08.

8 Indicates 8" Elliptical
6 Indicates 6" Round
8 Indicates 8" Round