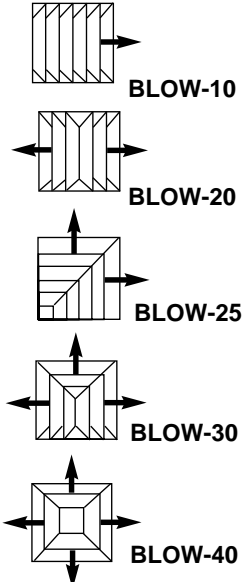


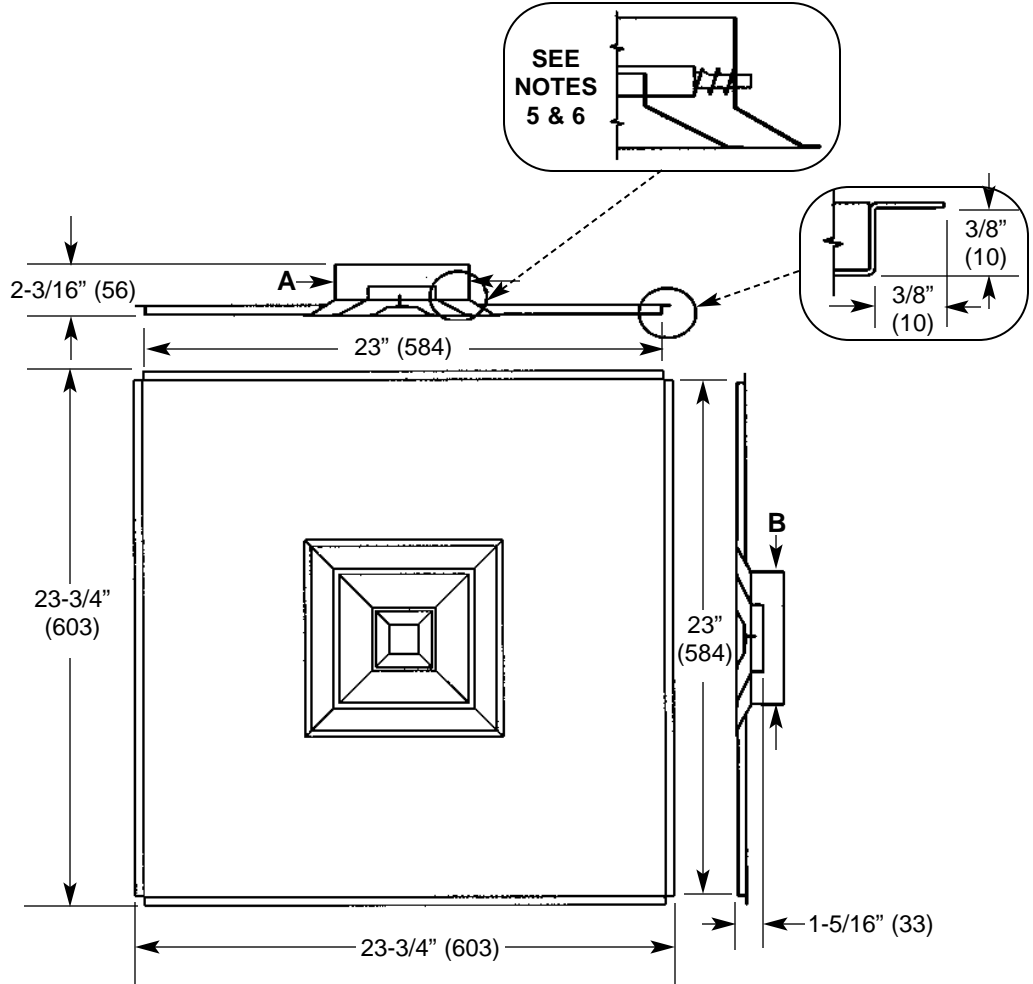
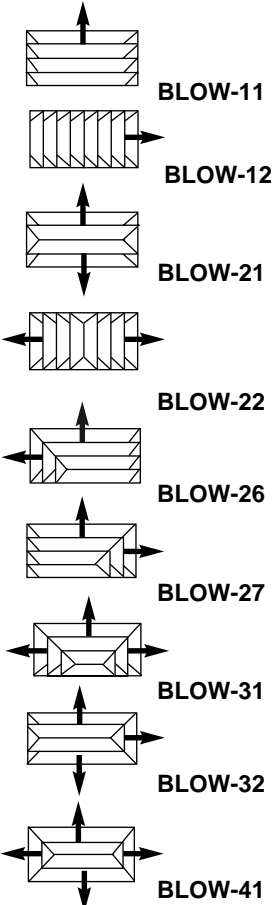
Imperial [IP] Dimensions
Metric (SI) in Parentheses

CARNES COMPANY 448 S. Main St., P. O. Box 930040, Verona, WI 53593-0040 Phone: (608)845-6411 Fax: (608)845-6504 www.carnes.com

SQUARE



RECTANGULAR



Notes:

1. The standard finish is #11 White Electrocoat baked enamel.
2. The inlet is nominal size plus 1/4" (6) to fit over the duct.
3. This tegular panel is sized for 15/16" (24) T-bar.
4. Panels to fit 9/16" (14) T-bar are available.
5. Core is held in by 4-pin, spring loaded attachment.
6. Cores are removable and interchangeable with other blow patterns of the same size and shape.

DIMENSIONS LIST IN INCHES (Millimeters)

| A x B | A x B | A x B |
|-----------------------|------------------------|------------------------|
| 6 x 6 (152 x 152) | 9 x 9 (229 x 229) | 12 x 15 (305 x 305) |
| 6 x 9 (152 x 229) | 9 x 12 (229 x 305) | 12 x 18 (305 x 457) |
| 6 x 12 (152 x 305) | 9 x 15 (229 x 381) | 15 x 15 (381 x 381) |
| 6 x 15 (152 x 381) | 9 x 18 (229 x 457) | 15 x 18 (381 x 457) |
| 6 x 18 (152 x 457) | 12 x 12 (305 x 305) | 18 x 18 (457 x 457) |