

SPECIFICATION SHEET

MODEL CHBB CHANNEL-AIRE EXTRUDED ALUMINUM SLOT TYPE DIFFUSER 1-1/8" (28.6) BORDER, 1/2" (12.7) SLOT

COMBINATION DIMENSIONS

Standard and (Metric)

CARNES COMPANY, 448 S. Main Street, P. O. Box 930040, Verona, WI. 53593-0040 Phone: 608/845-6411 Fax: 608/845-6470

SLOT PATTERN ADJUSTMENTS



PERPENDICULAR



PARALLEL LEFT



PARALLEL RIGHT



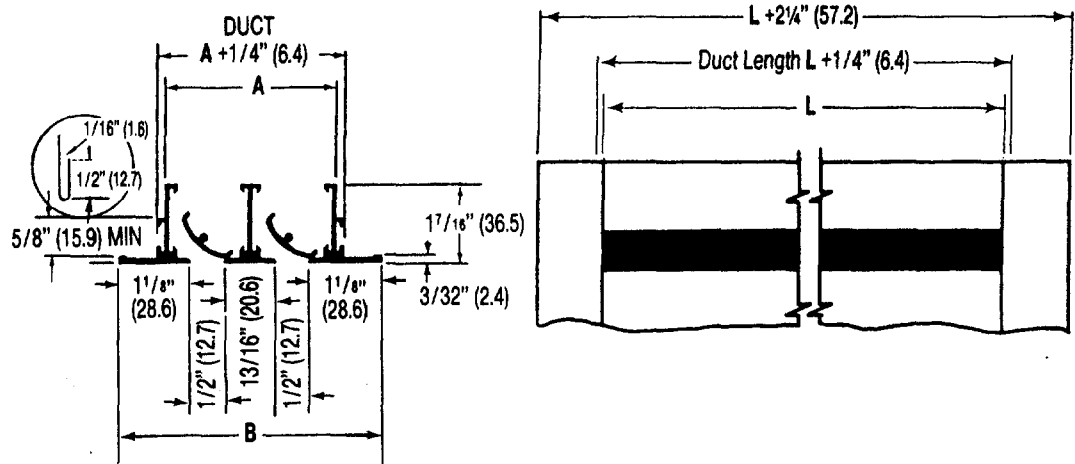
BLANK-OFF



PARALLEL ONE-WAY
MULTIPLE SLOT



PARALLEL TWO-WAY
OPPOSITE



DIMENSIONS LISTED IN INCHES (Millimeters)

Dim.	No. of Slots							
	1	2	3	4	5	6	7	8
A	1-3/8 (34.9)	2-11/16 (68.3)	4 (101.6)	5-5/16 (134.9)	6-5/8 (168.3)	7-15/16 (201.6)	9-1/4 (235.0)	10-9/16 (268.3)
B	2-3/4 (69.9)	4-1/16 (103.2)	5-3/8 (136.5)	6-11/16 (169.9)	8 (203.2)	9-5/16 (236.5)	10-5/8 (269.9)	11-15/16 (303.2)

NOTES:

1. Maximum length "L" for one piece construction is 72" (1829).
2. For butted units, allow 1/32" (.8) space between sections to provide for thermal expansion.