

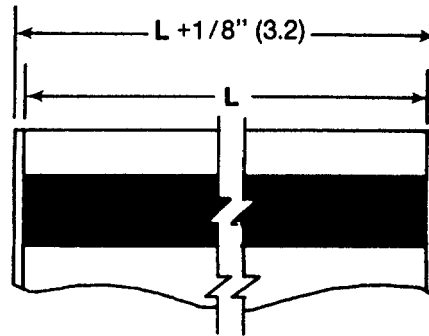
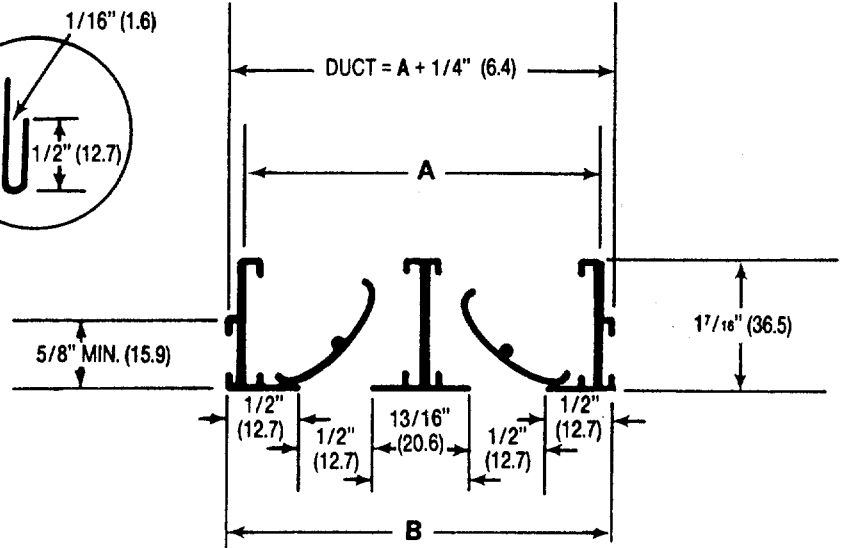
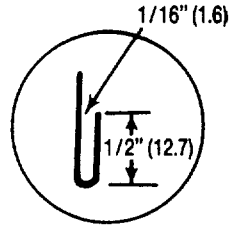
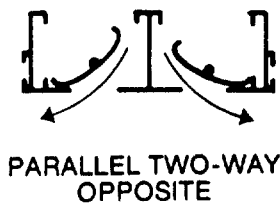
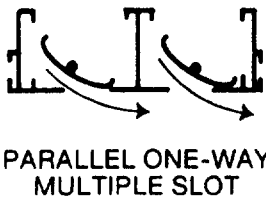
## SPECIFICATION SHEET

### MODEL CHKB CHANNEL-AIRE EXT. ALUM. SLOT TYPE DIFF. 1/2" (12.7) BORDER, 1/2" (12.7) SLOT

#### COMBINATION DIMENSIONS Standard and (Metric)

CARNES COMPANY, 448 S. Main Street, P. O. Box 930040, Verona, WI. 53593-0040 Phone: 608/845-6411 Fax: 608/845-6470

#### SLOT PATTERN ADJUSTMENTS



#### DIMENSION LISTED IN INCHES (millimeters)

Dim.	NUMBER OF SLOTS							
	1	2	3	4	5	6	7	8
A	1 <sup>3</sup> / <sub>8</sub> (34.9)	2 <sup>11</sup> / <sub>16</sub> (68.3)	4 (101.6)	5 <sup>5</sup> / <sub>16</sub> (134.9)	6 <sup>5</sup> / <sub>8</sub> (168.3)	7 <sup>15</sup> / <sub>16</sub> (201.6)	9 <sup>1</sup> / <sub>4</sub> (235.0)	10 <sup>9</sup> / <sub>16</sub> (268.3)
B	1 <sup>1</sup> / <sub>2</sub> (38.1)	2 <sup>13</sup> / <sub>16</sub> (71.4)	4 <sup>1</sup> / <sub>8</sub> (104.8)	5 <sup>7</sup> / <sub>16</sub> (138.1)	6 <sup>3</sup> / <sub>4</sub> (171.5)	8 <sup>1</sup> / <sub>16</sub> (204.9)	9 <sup>3</sup> / <sub>4</sub> (238.1)	10 <sup>11</sup> / <sub>16</sub> (271.5)

#### NOTES:

1. Duct length is "L" + 1/4" (6.4).
2. Units have flat end caps that add 1/8" (3.2) to unit length.
3. Maximum length "L" for one piece construction is 72" (1829).