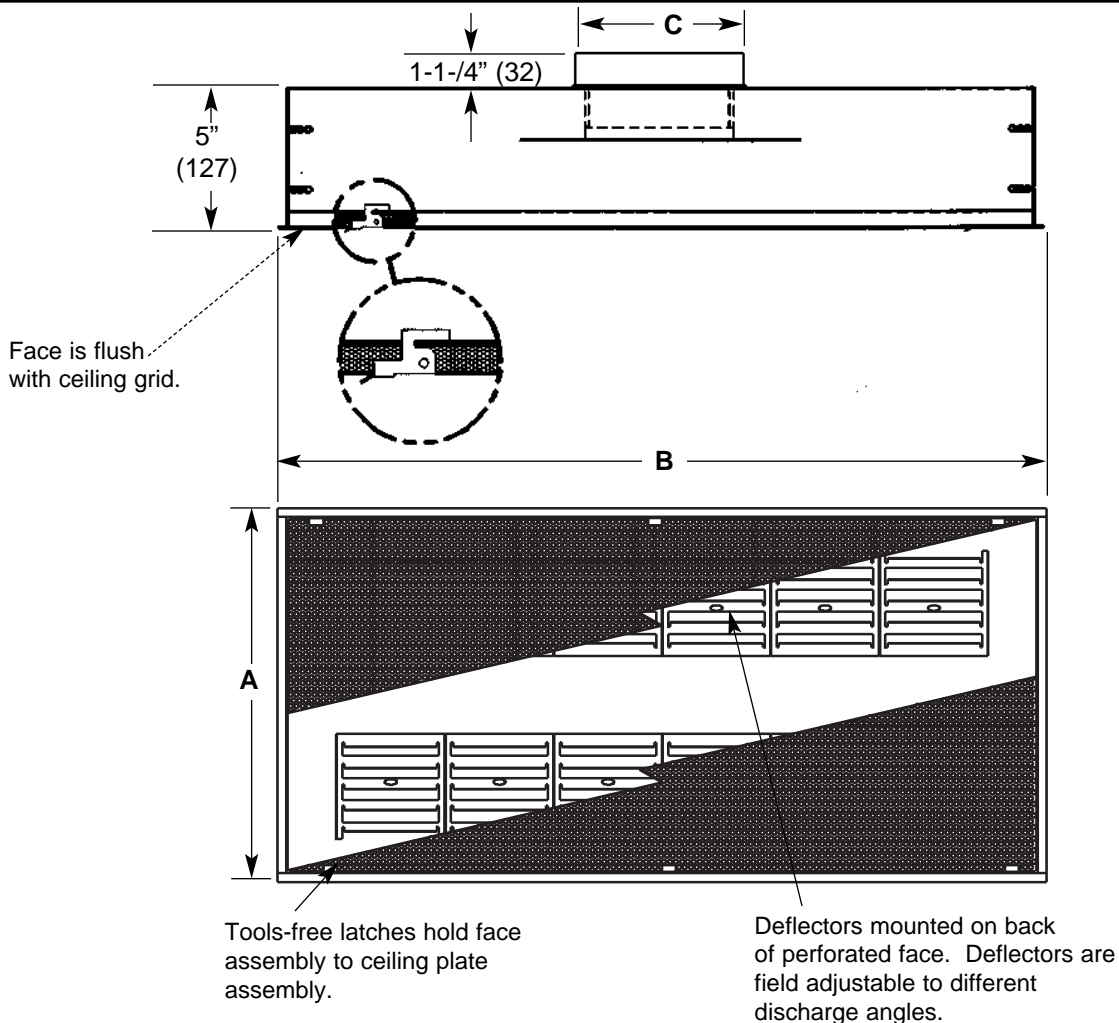


Imperial [IP] Dimensions
Metric (SI) In Parentheses

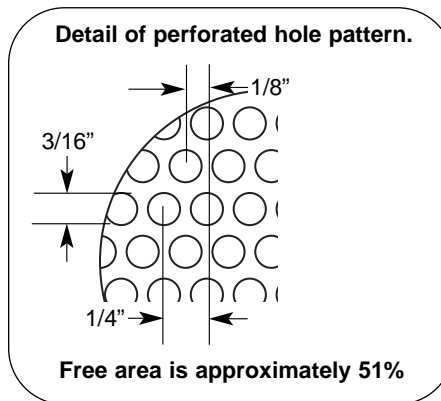
CARNES COMPANY, 448 S. Main St., P. O. Box 930040, Verona, WI. 53593-0040 Phone: 608/845-6411 Fax: 608/845-6470 E-Mail: carnes@carnes.com www.carnes.com



Notes:

- Standard finish is electrocoat acrylic baked enamel.
- Standard color is #11 Bright White for steel and aluminum. Standard finish is #25 satin polish for stainless steel.
- Inlet is undersized by 1/8" (3) to fit inside duct.
- Available in

Steel	DRSC
Aluminum	DRAC
Stainless Steel	DRTC
- Ceiling plate is 22 gauge.
- Metric dimensions are given in millimeters.
- Two safety chains are provided as standard feature.
- Seismic tabs are integral to the construction at each corner.
- Deflectors are field adjustable between 180° and 90° discharge pattern, as well as between long (standard) and short discharge pattern.
- Face assembly and baffle assembly are removable for cleaning. They remove as two pieces as standard.



Nominal Neck Size	Dim. C.
8" (203)	7-7/8" (200)
10" (254)	9-7/8" (251)
12" (305)	11-7/8" (302)

Nominal Face Size	Dim. A.	Dim B.
24" x 24"	23-3/4" (603)	23-3/4" (603)
24" x 48"	23-3/4" (603)	47-3/4" (1213)