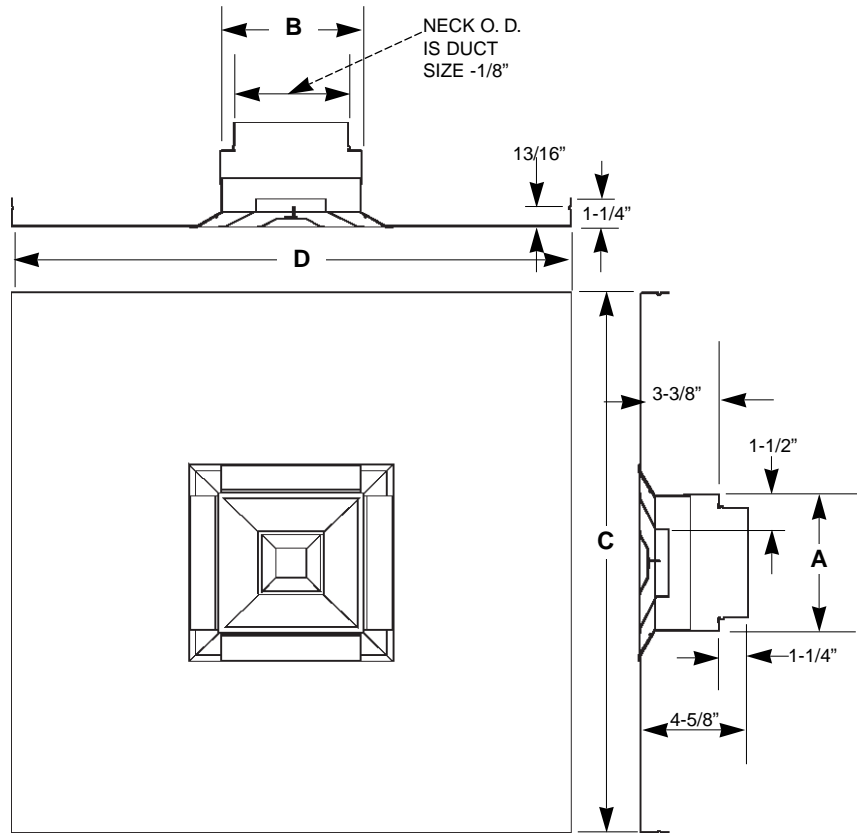
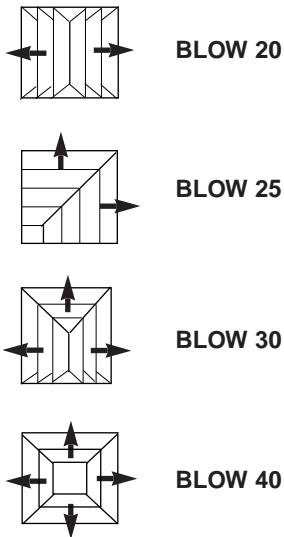


SQUARE & RECTANGULAR DIFFUSERS - ADJUSTABLE with ROUND NECK OPTION - SNAP IN METAL PAN

IP Units (SI Metric on Reverse)

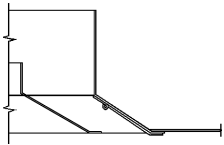
CARNES COMPANY, 448 S. Main St., P. O. Box 930040, Verona, WI. 53593-0040 Phone: 608/845-6411 Fax: 608/845-6470 carnes@carnes.com http://www.carnes.com

SQUARE

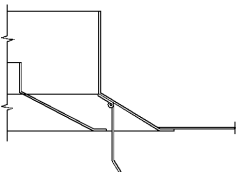


ADJUSTMENT

HORIZONTAL AIR FLOW



VERTICAL AIR FLOW



DIMENSIONS LISTED IN INCHES

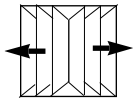
Round Neck O. D.	Inlet A x B	Panel C x D	Panel C x D	Panel C x D
4	6 x 6	12 x 12	12 x 24	24 x 24
5	6 x 6	12 x 12	12 x 24	24 x 24
6	6 x 6	12 x 12	12 x 24	24 x 24
6	9 x 9	12 x 12	12 x 24	24 x 24
8	9 x 9	12 x 12	12 x 24	24 x 24
9	9 x 9	12 x 12	12 x 24	24 x 24
10	12 x 12	—	—	24 x 24
12	12 x 12	—	—	24 x 24
12	15 x 15	—	—	24 x 24
14	15 x 15	—	—	24 x 24
15	15 x 15	—	—	24 x 24
16	18 x 18	—	—	24 x 24
18	18 x 18	—	—	24 x 24
20	21 x 21	—	—	24 x 24
21	21 x 21	—	—	24 x 24

SQUARE & RECTANGULAR DIFFUSERS - ADJUSTABLE with ROUND NECK OPTION - SNAP IN METAL PAN

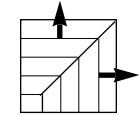
SI Metric Units (IP on Reverse)

CARNES COMPANY, 448 S. Main St., P. O. Box 930040, Verona, WI. 53593-0040 Phone: 608/845-6411 Fax: 608/845-6470 carnes@carnes.com http://www.carnes.com

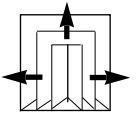
SQUARE



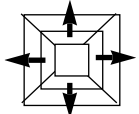
BLOW 20



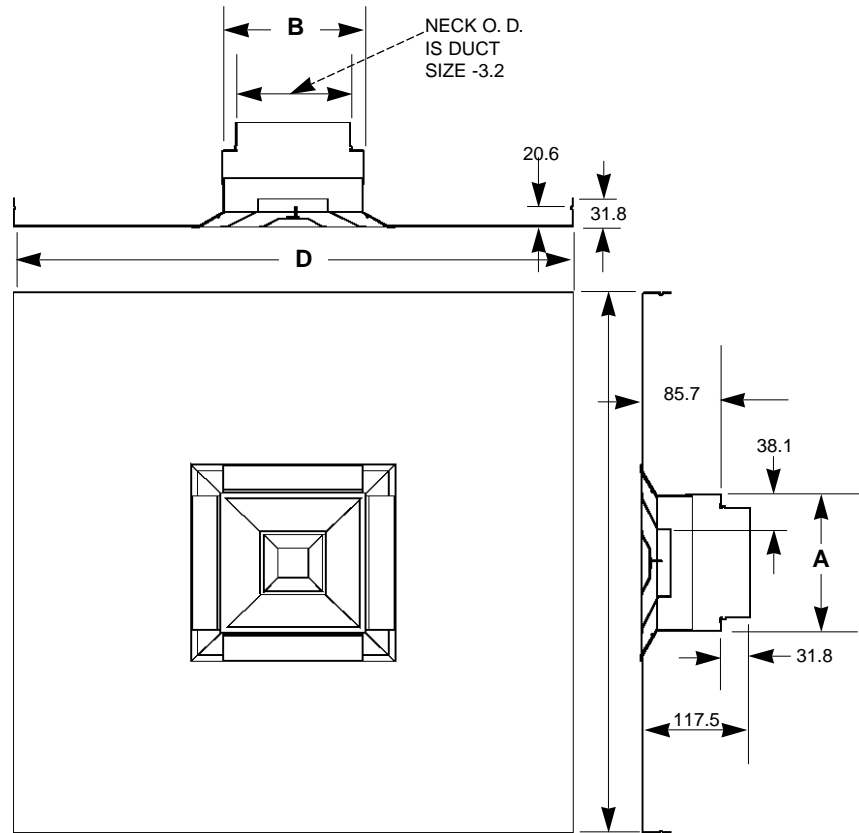
BLOW 25



BLOW 30

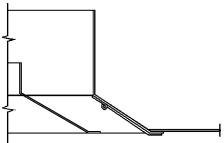


BLOW 40

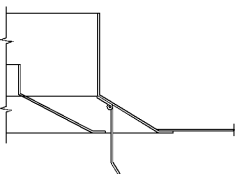


ADJUSTMENT

HORIZONTAL AIR FLOW



VERTICAL AIR FLOW



DIMENSIONS LISTED IN MILLIMETERS

Round Neck O. D.	Inlet A x B	Panel C x D	Panel C x D	Panel C x D
102	152 x 152	305 x 305	305 x 610	610 x 610
127	152 x 152	305 x 305	305 x 610	610 x 610
152	152 x 152	305 x 305	305 x 610	610 x 610
152	229 x 229	305 x 305	305 x 610	610 x 610
203	229 x 229	305 x 305	305 x 610	610 x 610
229	229 x 229	305 x 305	305 x 610	610 x 610
254	305 x 305	—	—	610 x 610
305	305 x 305	—	—	610 x 610
305	381 x 381	—	—	610 x 610
356	381 x 381	—	—	610 x 610
381	381 x 381	—	—	610 x 610
406	457 x 457	—	—	610 x 610
457	457 x 457	—	—	610 x 610
508	533 x 533	—	—	610 x 610
533	533 x 533	—	—	610 x 610