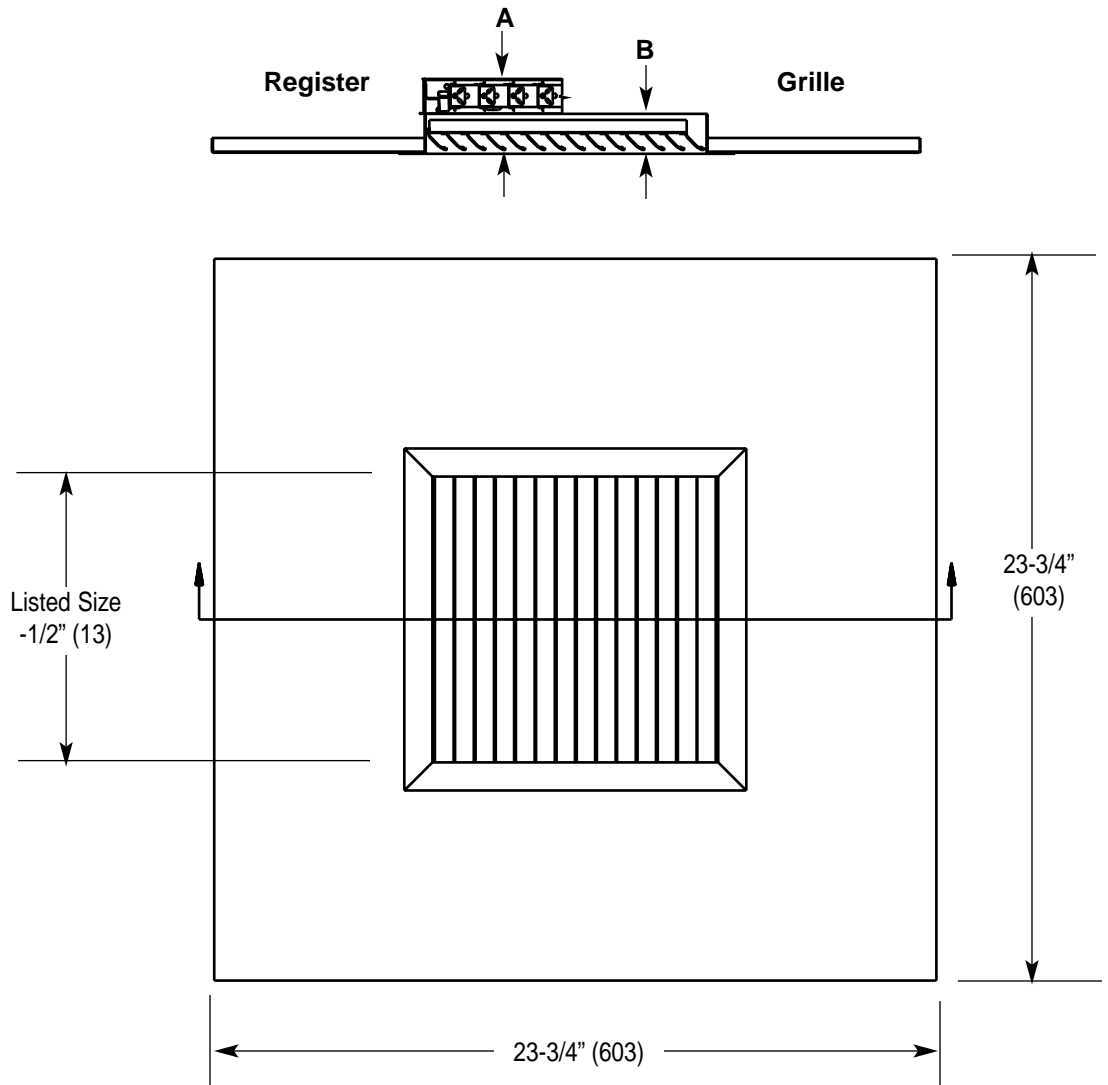


**Imperial [IP] Dimensions**  
**Metric (SI) In Parentheses**

CARNES COMPANY, 448 S. Main St., P. O. Box 930040, Verona, WI. 53593-0040 Phone: 608/845-6411 Fax: 608/845-6470 E-Mail: carnes@carnes.com www.carnes.com



**Notes:**

1. Models RSLA and RTLA are shown here.
2. Maximum nominal Grille or Register size with this option is 20" x 20" (508 x 508).
3. Size 21-3/4" x 21-3/4" (552 x 552) drops into a 24" x 24" (610 x 610) T-bar without requiring Option "T".
4. Size 22" x 22" (559 x 559) can be sheared to fit 24" x 24" (610 x 610) T-bar by ordering Option "S" instead.
5. All metric dimensions are in millimeters.
6. Other T-bar panel sizes are available on request. Maximum grille size may change.
7. Other Lay-in panels are available on request, including 15/16" Tegular, 9/16" Tegular and Donn Finline-type.

Description	Construction	Register		Grille	
		Model	Dim. A	Model	Dim. B
Single Deflection Supply	Steel	RTSB	2-9/16" (65)	RSSB	1-3/8" (35)
	Formed Aluminum	RWSB	2-9/16" (65)	RASB	1-3/8" (35)
	Stainless Steel	RMSB	2-9/16" (65)	RLSB	1-3/8" (35)
Double Deflection Supply	Steel	RTDB	3-1/16" (78)	RSDB	1-7/8" (48)
	Formed Aluminum	RWDB	3-1/16" (78)	RADB	1-7/8" (48)
	Stainless Steel	RMDB	3-1/16" (78)	RLDB	1-7/8" (48)
0° Fixed Return	Steel	RTRB	2-9/16" (65)	RSRB	1-3/8" (35)
	Formed Aluminum	RWRB	2-9/16" (65)	RARB	1-3/8" (35)
	Stainless Steel	RMRB	2-9/16" (65)	RLRB	1-3/8" (35)
45° Fixed Return	Steel	RTAB	2-9/16" (65)	RSAB	1-3/8" (35)
	Formed Aluminum	RWAB	2-9/16" (65)	RAAB	1-3/8" (35)
	Stainless Steel	RMAB	2-9/16" (65)	RLAB	1-3/8" (35)
Perforated Return	Steel	RTFA	2-9/16" (65)	RSFA	1-3/8" (35)
	Formed Aluminum	RWFB	2-9/16" (65)	RAFB	1-3/8" (35)
Louvered Return	Steel	RTLA	2-9/16" (65)	RSLA	1-3/8" (35)