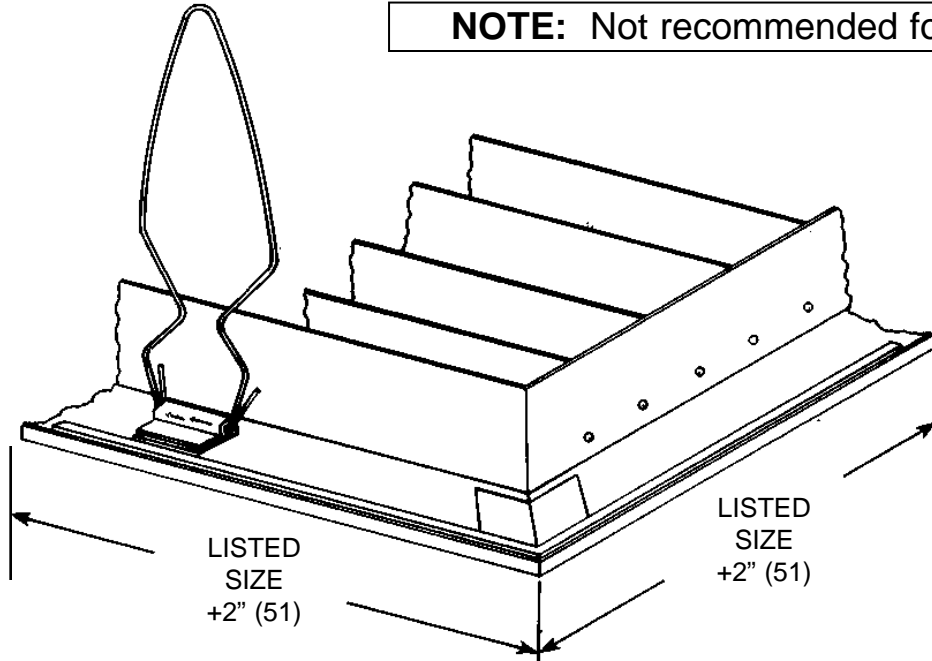


**Imperial [IP] Dimensions**  
**Metric (SI) in Parentheses**

CARNES COMPANY, 448 S. Main St., P. O. Box 930040, Verona, WI 53593-0040 Phone (608) 845.6411 Fax: (608) 845.6470 carnes@carnes.com

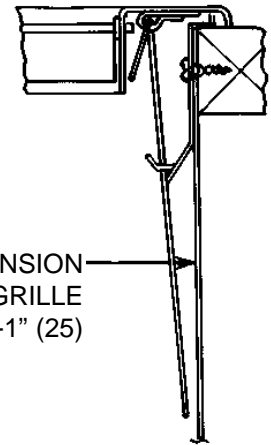
**NOTE:** Not recommended for ceiling application.



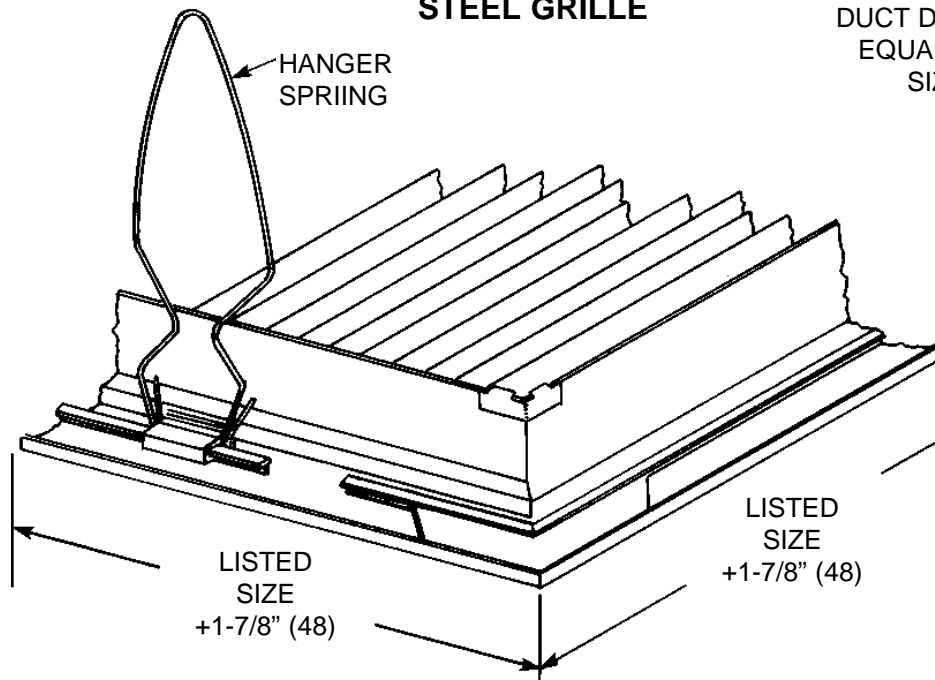
LISTED  
SIZE  
+2" (51)

LISTED  
SIZE  
+2" (51)

**STEEL GRILLE**



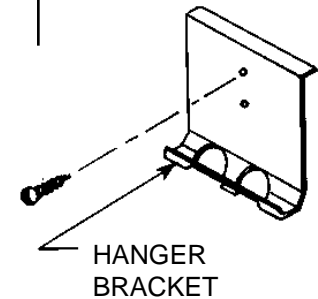
DUCT DIMENSION  
EQUALS GRILLE  
SIZE +1" (25)



LISTED  
SIZE  
+1-7/8" (48)

LISTED  
SIZE  
+1-7/8" (48)

**ALUMINUM GRILLE**



HANGER  
BRACKET