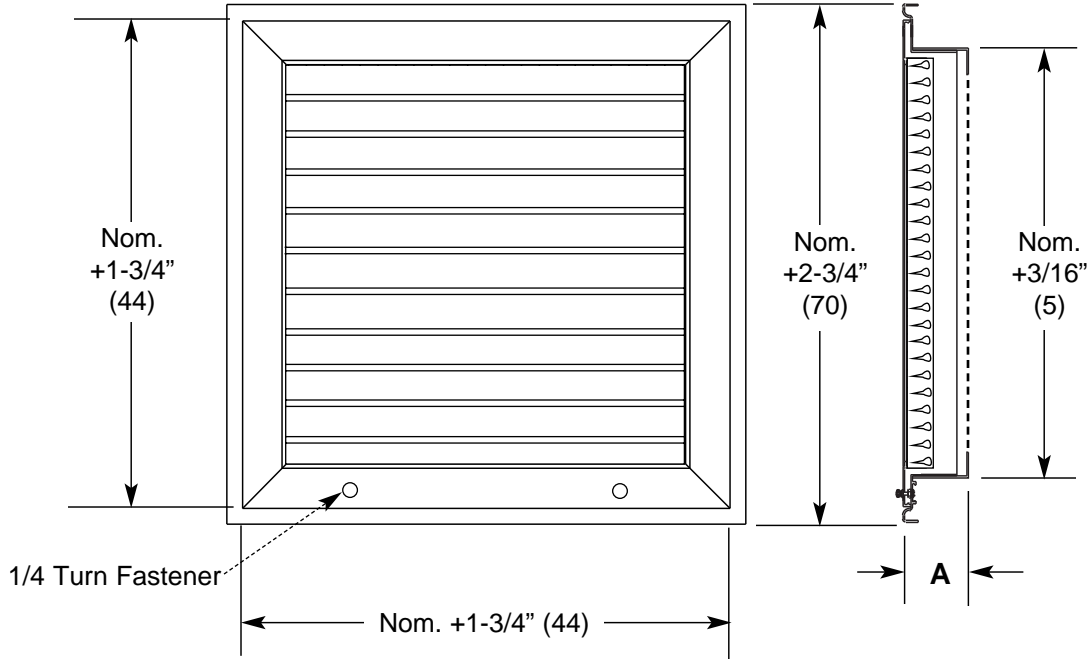


Imperial [IP] Dimensions
Metric (SI) in Parentheses

CARNES COMPANY 448 S. Main St., P. O. Box 930040, Verona, WI 53593-0040 Phone: (608)845-6411 Fax: (608)845-6504 www.carnes.com



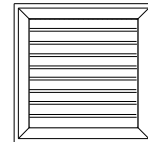
Filter Nom. Thickness	Dim. A
1" (25)	2-1/6" (52)
2" (51)	3-1/16" (78)

Notes:

- Blades are on 3/4" centers, at 35° deflection.
- Hinge is completely concealed.
- Standard Finish is Carnes Bright White.
- Construction is aluminum core, frame and filter frame.
- With the exceptions noted at right, the filter nominal size is the same as the grille nominal size.
- Carnes does not supply filters.
- Metric dimensions are in millimeters.
- Grille is closed with 1/4 turn fastener.

Sizes for T-bar Lay in Applications.

The following sizes will lay into suspended ceilings with no modification, and will take the following filter sizes.



Nominal Size	Will Fit this T-bar	And take this filter size
21" x 9" (533 x 229)	24" x 12" (610 x 305)	21" x 9" (533 x 229)
21" x 21" (533 x 533)	24" x 24" (610 x 610)	20" x 20" (508 x 508)
45" x 21" (1143 x 533)	48" x 24" (1219 x 610)	20" x 20" (508 x 508) [2]