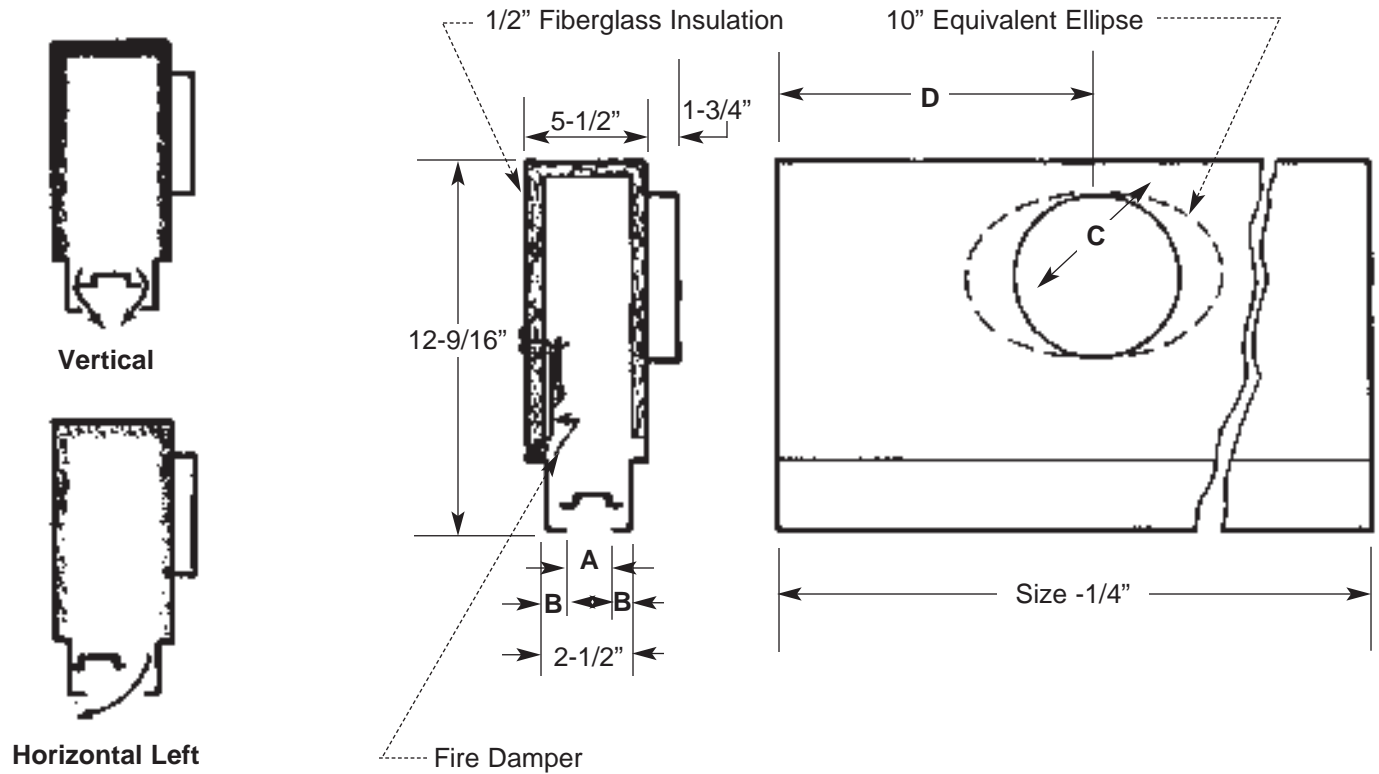


Imperial [IP] Dimensions  
Metric (SI) in Parentheses

CARNES COMPANY 448 S. Main St., P. O. Box 930040, Verona, WI 53593-0040 Phone: (608)845-6411 Fax: (608)845-6470 www.carnes.com

**PATENT 4,491,062**



Size	Inlet C	Slot Width - A	B	C	Weight
24	6 & 7	3/4"	7/8"	6"	10
	8 & 9 10 Ellipse	1" 1-1/4"	3/4" 5/8"		
48	6 & 7	3/4"	7/8"	19"	19
	8 & 9	1" 1-1/4"	3/4" 5/8"		
38	10 Ellipse	3/4" 1" 1-1/4"	7/8" 3/4" 5/8"	17-1/2"	19

Horizontal Right

Size 48"  
Pattern Control  
Blade is split in the center

**Notes:**

1. 22 gauge galvanized steel construction.
2. Face of unit painted black.
3. All ceiling "T-Bar" by others.

**CLASSIFIED**



UNDERWRITERS' LABORATORIES, INC®  
CLASSIFIED  
AIR TERMINAL UNITS  
FIRE RESISTANCE CLASSIFICATION  
DESIGN NOS.—SEE PRODUCT CATEGORY  
IN UL FIRE RESISTANCE DIRECTORY  
CONTROL NO. 241Y