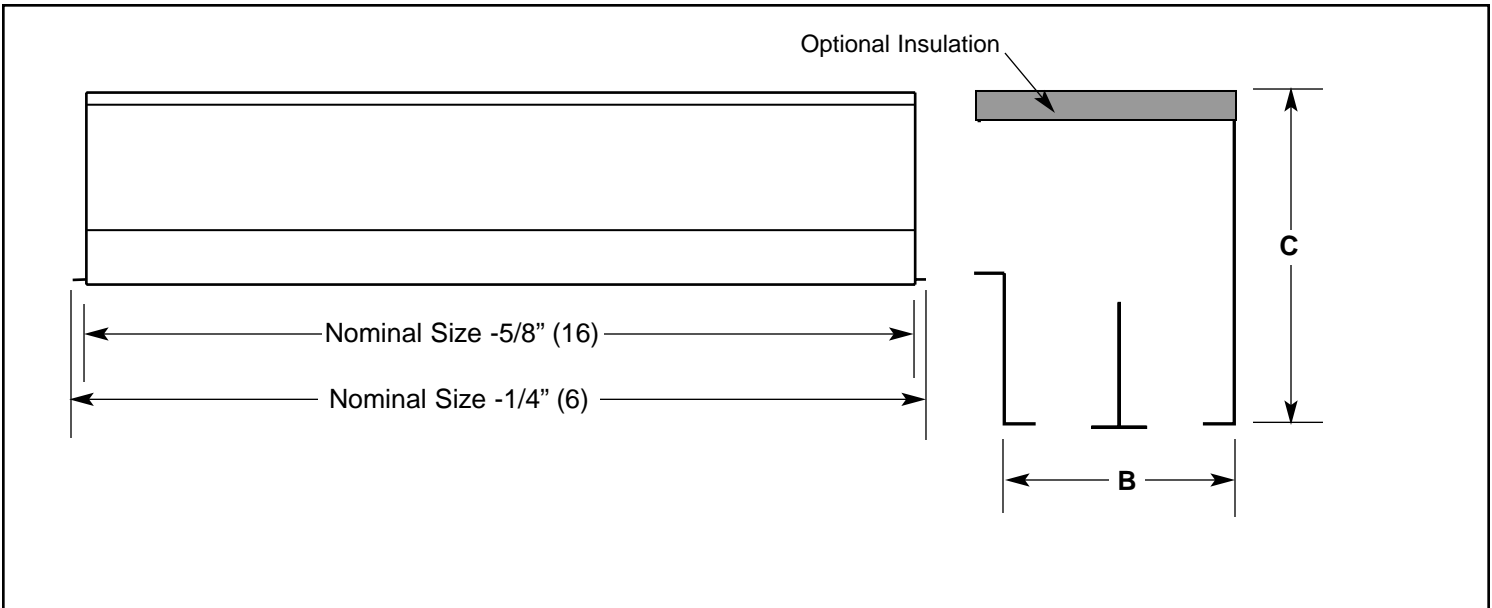


Imperial [IP] Dimensions
Metric (SI) in Parentheses

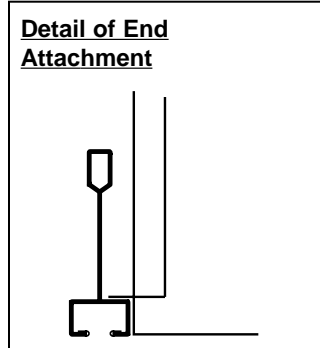
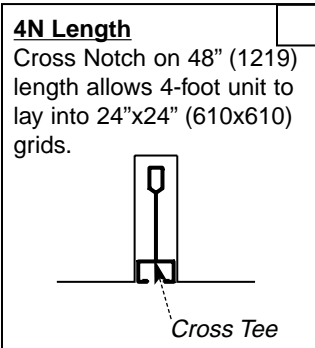
CARNES COMPANY, 448 S. Main St., P. O. Box 930040, Verona, WI 53593-0040 Phone (608) 845.6411 Fax: (608) 845.6470 carnes@carnes.com



Notes:

- 24 gauge galvaneal steel construction.
- Face of unit is painted #06 Flat Black as standard, with White Tee's.
- Metric (SI) dimensions are shown in millimeters.
- When specified, insulation is 1/2", 2-pound density matte-finish fiberglass, internally mounted.
- "Donn" and "Finline" are registered trademarks of USG, Inc.

	Diffuser Width (Dimension B)		
	Slot Width (Dimension A)		
	3/4" (19)	1" (25)	1-1/2" (38)
1-Slot	1-3/4" (44)	2" (51)	2-1/2" (64)
2-Slot	3-1/2" (89)	4" (102)	5" (127)
3-Slot	5-1/4" (133)	6" (152)	7-1/2" (191)
4-Slot	7" (178)	8" (203)	10" (254)



	Diffuser Height (Dimension C)		
	Slot Width (Dimension A)		
	3/4" (19)	1" (25)	1-1/2" (38)
1-Slot	3-3/4" (95)	4" (102)	4-1/2" (114)
2-Slot	4-1/2" (114)	5" (127)	6" (152)
3-Slot	5-1/4" (133)	6" (152)	7-1/2" (191)
4-Slot	6" (152)	7" (178)	9" (229)

