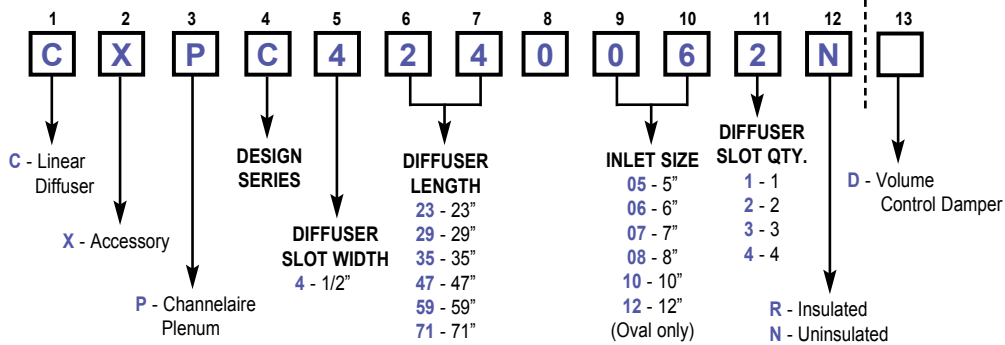


Notes:

1. Optional insulation is 1/2" black matte-faced 1-1/2 lb. density.
2. Standard material of plenum is 24 gauge galvanized steel.
3. This is for field attached plenum. Default is factory attached plenum.
4. Diffusers for USG Logix™ ceilings are lay in products. Plenum length is grid size minus 1 inch.

DIM	No. of Slots			
	1	2	3	4
A	2-3/4 (70)	4-1/16 (103)	5-3/8 (137)	6-11/16 (170)

Model Numbering System — Channelaire Plenum (For Field Attachment)



▼ Suggested Guide Specifications

Adjustable slot type diffusers shall be Carnes Model DT, DG or DH*, available in 1 - 4 slots. Frame construction shall be extruded aluminum, with formed adjustable pattern controllers. Each slot shall contain pattern controls, adjustable from the face of the diffuser to deflect the discharge air along a selected axis within a semi-circle of 180 degree. The same pattern controls shall function as volume control dampers without affecting the air discharge pattern. Diffusers shall be available for both lay in, 9/16" regular and 15/16" regular applications.

Return diffusers must also have the same dimensions to be USG Logix™ compatible and usable with or without an attached plenum.

All diffusers, regardless of number of slots, will maintain the same outside dimension to be USG Logix™ compatible.

The finish shall be electrocoat acrylic baked enamel. Standard finishes shall be Carnes #37 (white face frame with black pattern controllers) or #38 (white face frame with white face pattern controllers).

Plenums shall be manufactured by same manufacturer as the diffusers. Plenums shall be available as factory attached as standard. Optional field attachment shall also be available.

Published performance data shall be furnished and linear diffusers shall be tested in accordance with ANSI/ASHRAE Standard 70-1991.

*USG Logix™ Compatible

Specialty Products