

SPECIFICATION SHEET
STEAM HOSE and CONDENSATE RETURN LINE
Models HXLA, HXRA, HXSAB and HXSAC

CARNES COMPANY, 448 S. Main St., P. O. Box 930040, Verona, WI 53593-0040 - Phone: 608/845-6411 Fax: 608/845-6470

STEAM HOSE

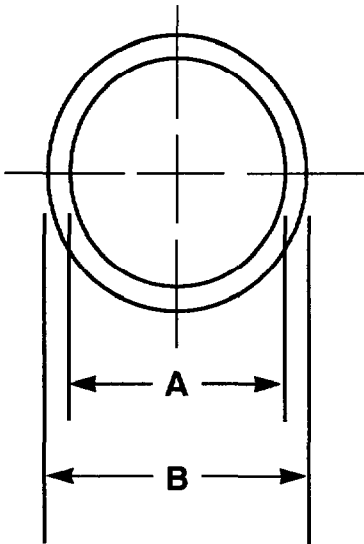
Model HXSAB: Steam hose used with "AX" and "B" type steam cylinders. Hose is made from ethylene propylene terpolymer (EPDM). ASTM Spec. BA-820-A14 B14 C12 F17 G14 Z, or equivalent.

Model HXSAC: Steam hose used with "C" type steam cylinders. Hose is made from ethylene propylene terpolymer (EPDM). ASTM Spec. BA-820-A14 B14 C12 F17 G14 Z, or equivalent.

CONDENSATE RETURN LINE

Model HXRA: Condensate return line used with steam distributor pipes. Hose is made from ethylene propylene terpolymer (EPDM). ASTM Spec. BA-720-A14 B14 C12 F17 G14 Z, or equivalent.

Model HXLA: Condensate return line used with fan distribution units. Hose is made from clear PVC tube. NSF certified under standard NSF-51.

DIMENSIONS**Dimensions Listed In Inches**

Model	A	B
HXSAB	7/8	1-3/16
HXSAC	1-5/8	2
HXRA	3/8	5/8
HXLA	5/8	7/8