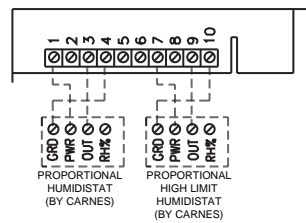
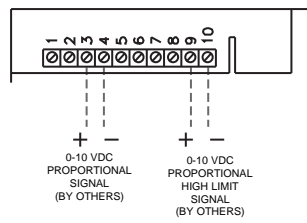
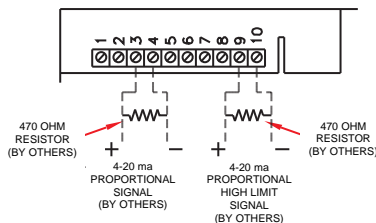
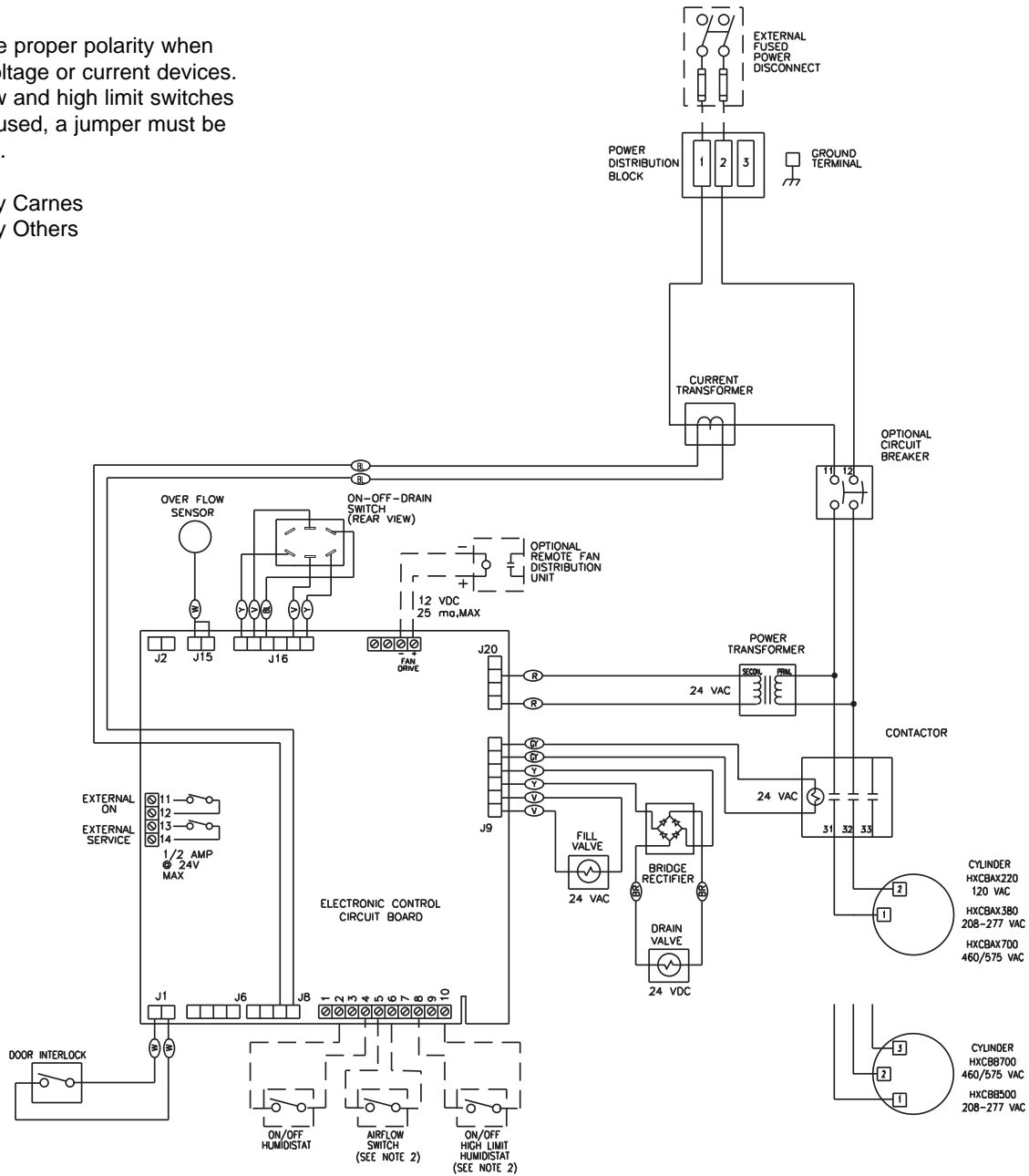


NOTES:

1. Observe proper polarity when using voltage or current devices.
2. If airflow and high limit switches are not used, a jumper must be installed.

————— By Carnes
 - - - - - By Others



OPTIONAL PROPORTIONAL CONTROLS