

### Model - HXBFB, HXBFC - 115 VAC

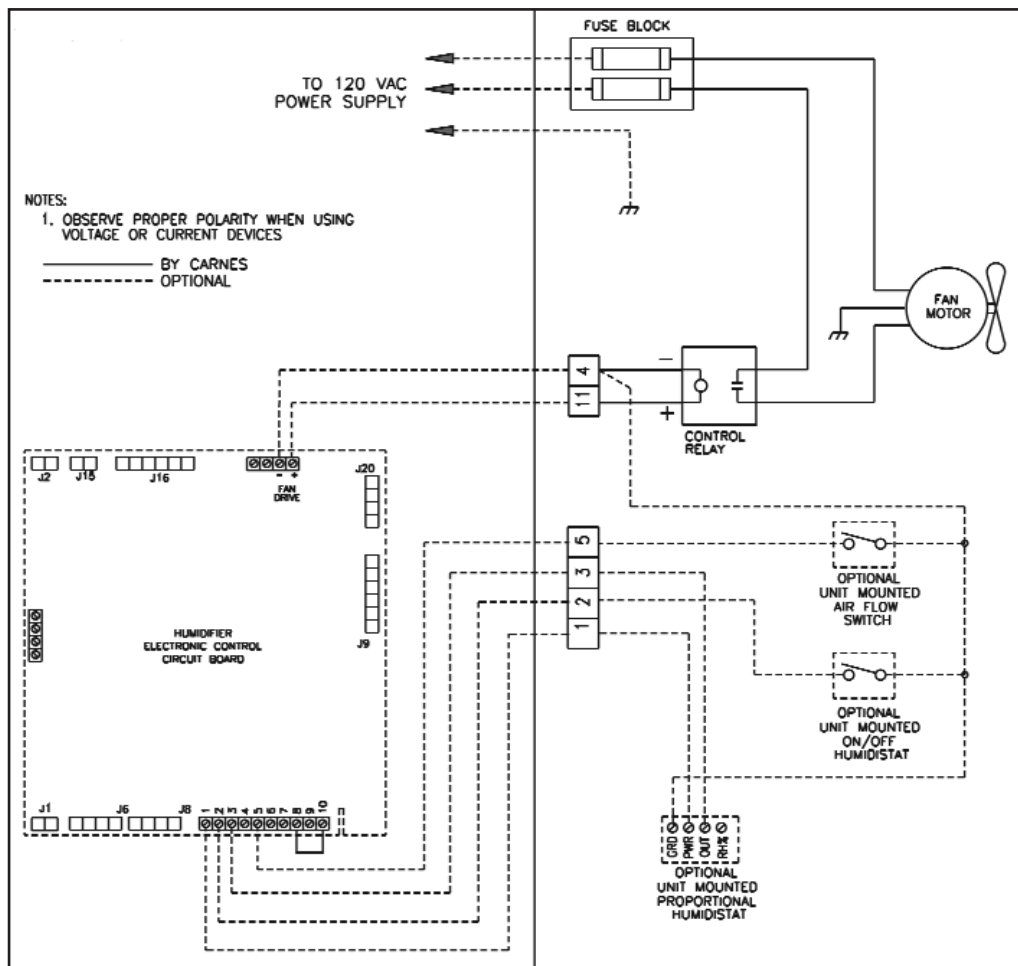
#### INTERNAL FUSE SIZES:

120V 3 Amp; 208V 2 Amp; 230V 1-1/2 Amp  
277V 1-1/2 Amp; 460V 3/4 Amp; 575V 3/4 Amp

#### ELECTRICAL CONNECTIONS:

All wiring must be installed per local and national codes. This unit requires a permanent connection. Cord connections are not permitted.

1. For fan distribution units shipped attached to the humidifier and ordered as the same voltage as the humidifier all primary connections have been prewired. If the fan distribution unit has been ordered for 115 VAC and the humidifier is 208, 230, 277, 460 or 575 VAC a separate 115 VAC source must be provided and wired to the fan distribution unit fuse block.
2. For remote mounted fan distribution units a power source appropriate to the voltage ordered must be provided and wired to the fuse block.
3. Access to the wiring terminals is provided through a removable access panel on the top of the fan distribution unit.
4. Connect the ground terminal to an independent ground. DO NOT use the neutral of a four wire power supply.



**Model - HXBFB, HXBFC - 208/230/277/460/575 VAC**

