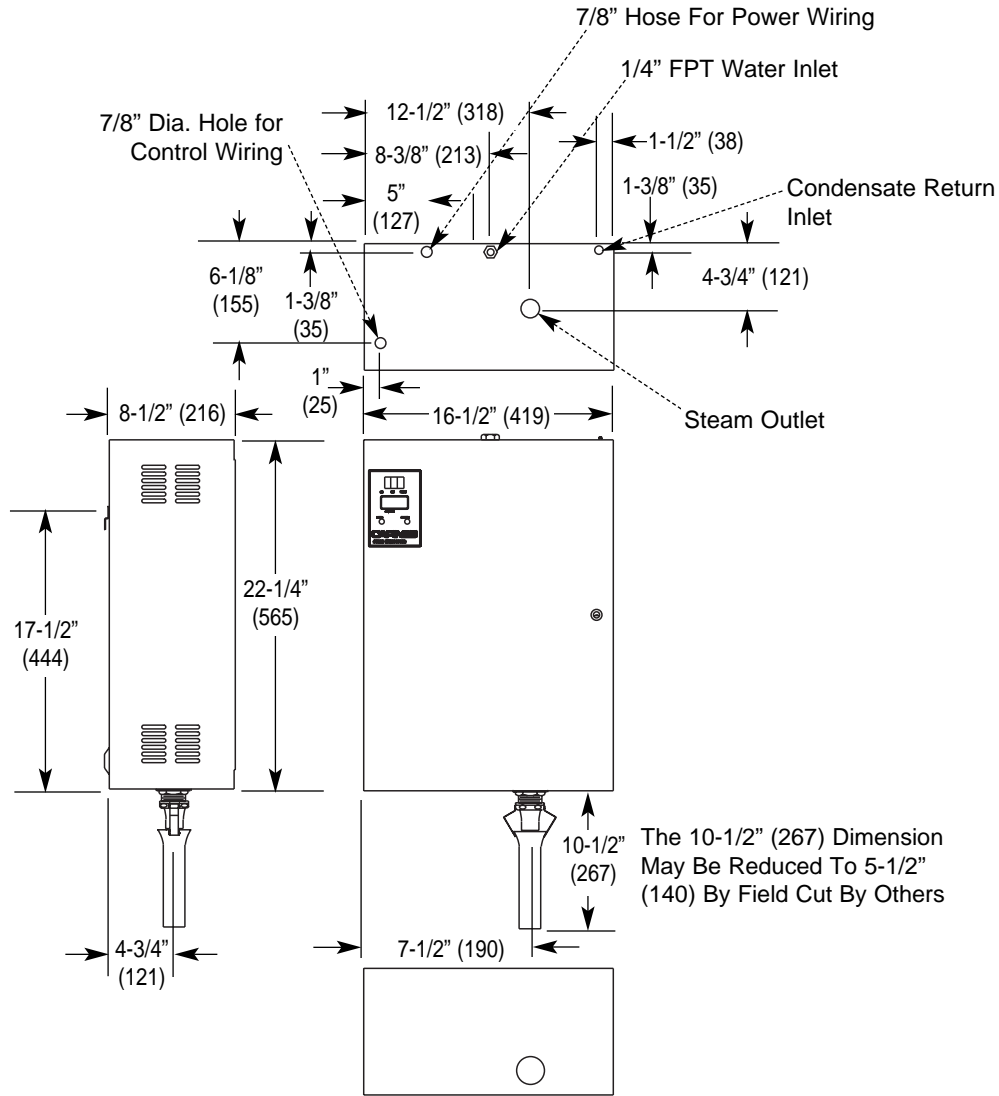


Imperial [IP] Dimensions
Metric (SI) in Parentheses

CARNES COMPANY 448 S. Main St., P. O. Box 930040, Verona, WI 53593-0040 Phone: (608)845-6411 Fax: (608)845-6470 www.carnes.com



Model	Maximum Lb./Hr.	kW	Voltage	Phase	Line Amp Rating	Recommended Disconnect Size (Amps)	Steam Cylinder
HRAAA U 005	5	1.7	120	1	14.4	20	HXCBAX220
HRAAD U 005	5	1.7	230	1	7.5	15	HXCBAX380
HRAAD U 010	10	3.4	230	1	15.0	20	HXCBAX380

U = UL
C = cUL

SYSTEM INCLUDES: Cylinder installed in Cabinet; 18 gauge steel Cabinet; Prewired and Prepped; Built-in Water Strainer; Electronic Overload Protection; Digital Steam Output Meter Calibrated in Pounds of Steam per Hour; Door Interlock to Disconnect Power to Cylinders; Hinged Door with Lock; Air Gap Drain Fitting.

FINISH: No. 34 Almond.