

CARNES COMPANY, 448 S. Main St., P. O. Box 930040, Verona, WI 53593-0040 Phone: (608)845-6411 Fax: (608)845-6504 carnes@carnes.com

Model FAKA

Application and Design

The FAKA is a vertical or horizontal mounted backdraft damper that is designed to allow airflow and prevent reverse airflow.

Ratings

Pressure: 4" w.g.

Velocity: 4000 fpm

Temperature: 200°F

Standard Construction

Frame: .060" thick extruded alum.

Blades: .045" thick extruded alum. with counterbalance weights

Blade Seal: vinyl

Linkage: 0.625" x 0.125" aluminum bar (in airstream)

Size Limitations

Minimum Size: 6"w x 6"h

Maximum Single Section Size:

48"w x 48"h

Multiple Sections

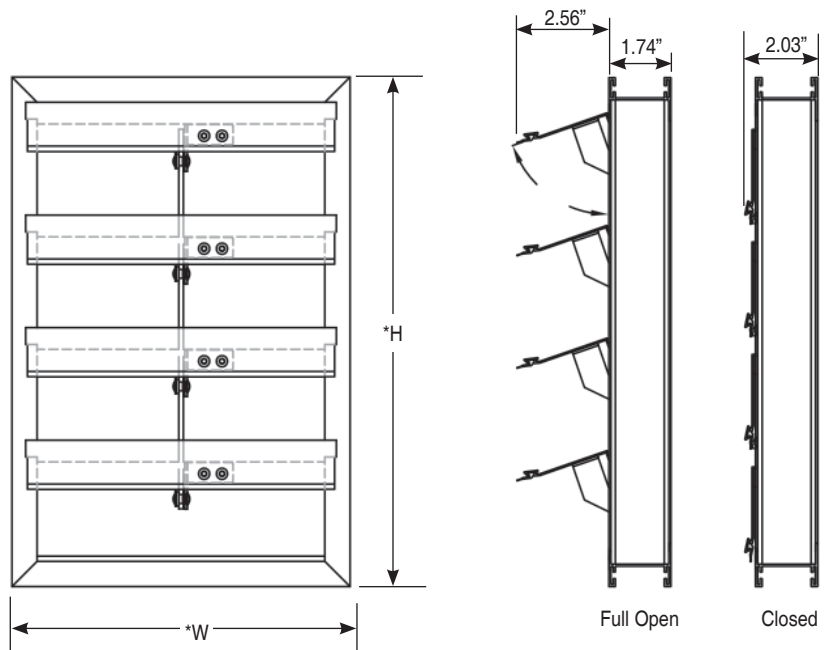
- Exposed mullions
- Aluminum sub-frame

Finishes

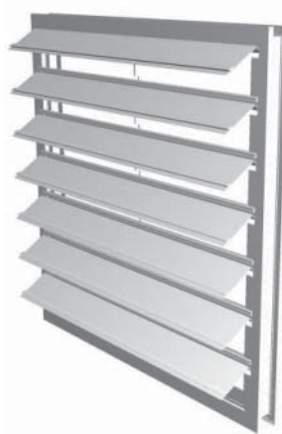
- Polyester powder coat (consult factory)

Options and Accessories

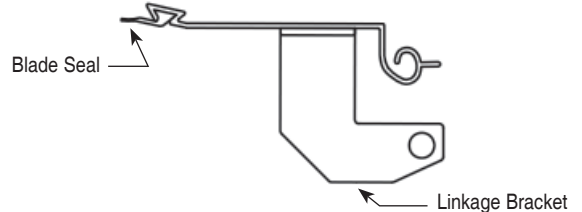
- 1-1/2" Flange Frame
 - Upstream Downstream
- Set limit open position bracket
- Motor driven



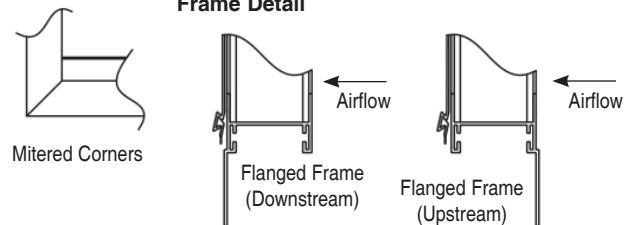
*W & H dimensions are approx. 1/4" undersized.



Blade Detail



Frame Detail



Tag	Qty.	Size		Frame	Variations
		Width	Height		

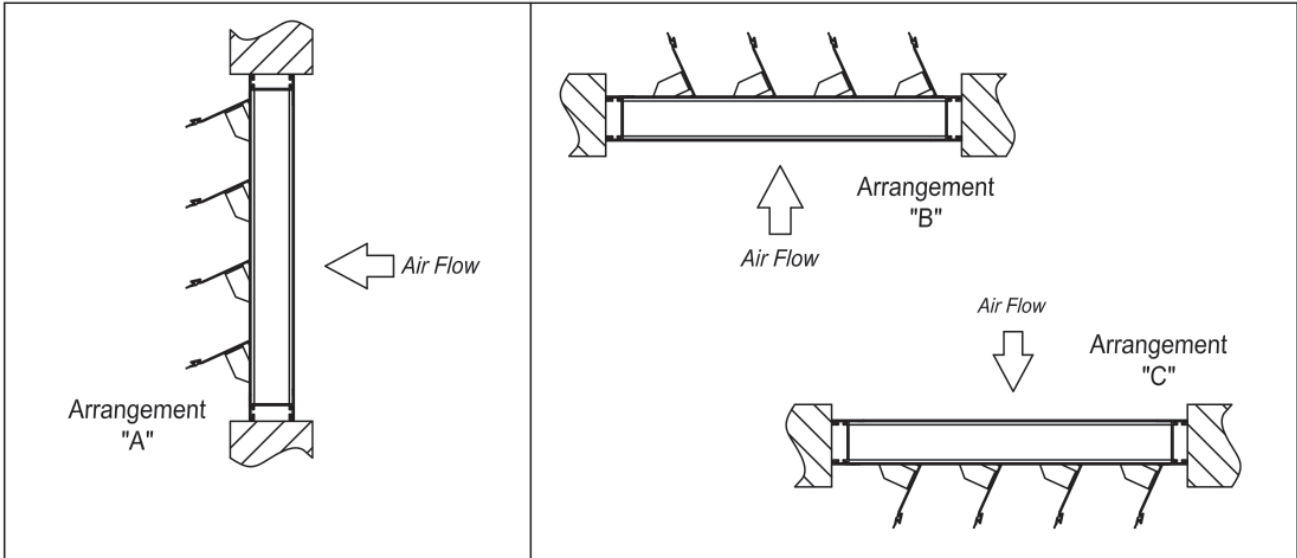
Project
Arch./Engr.
Representative

Location
Contractor
Date

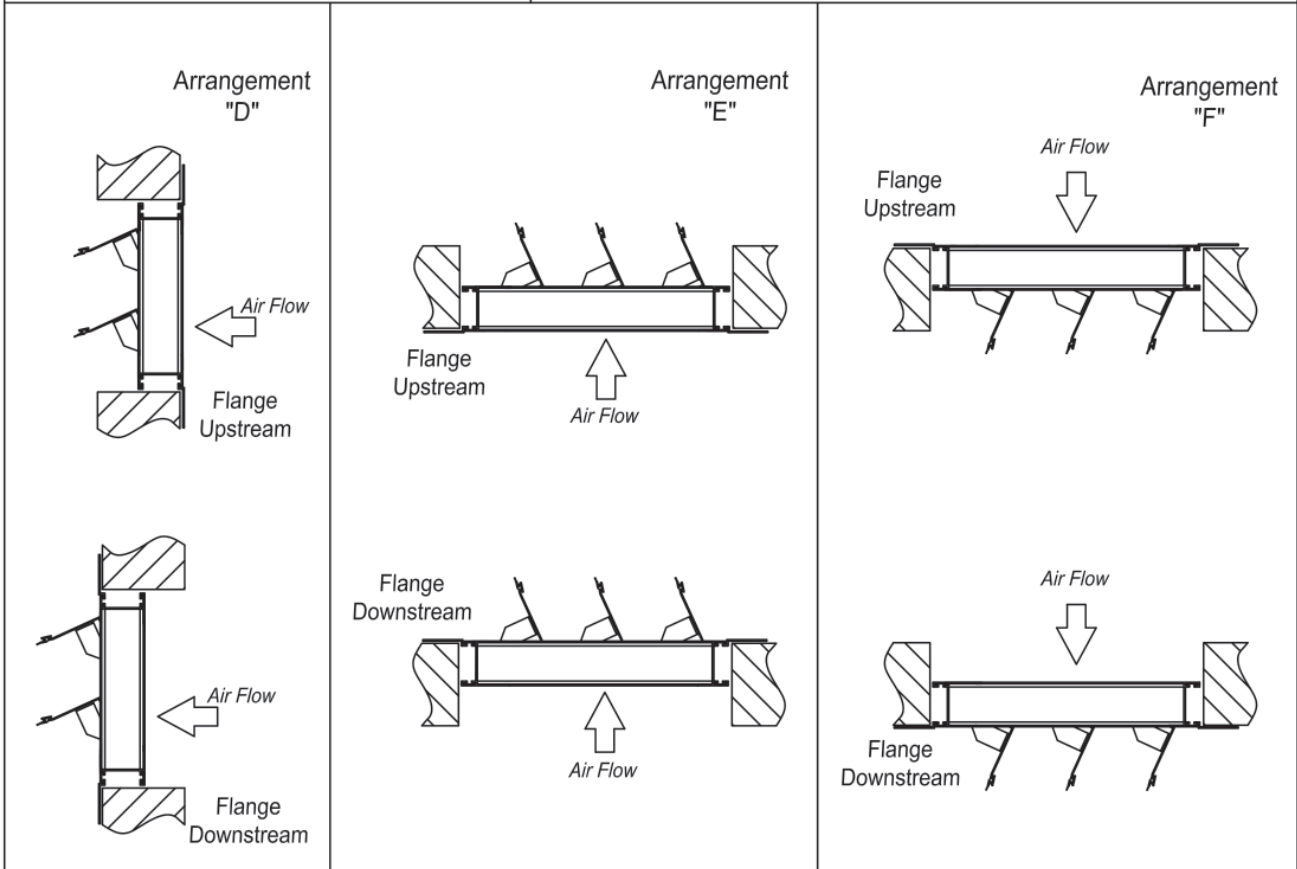
Model FAKA Performance Data

Counterweights used in airstream

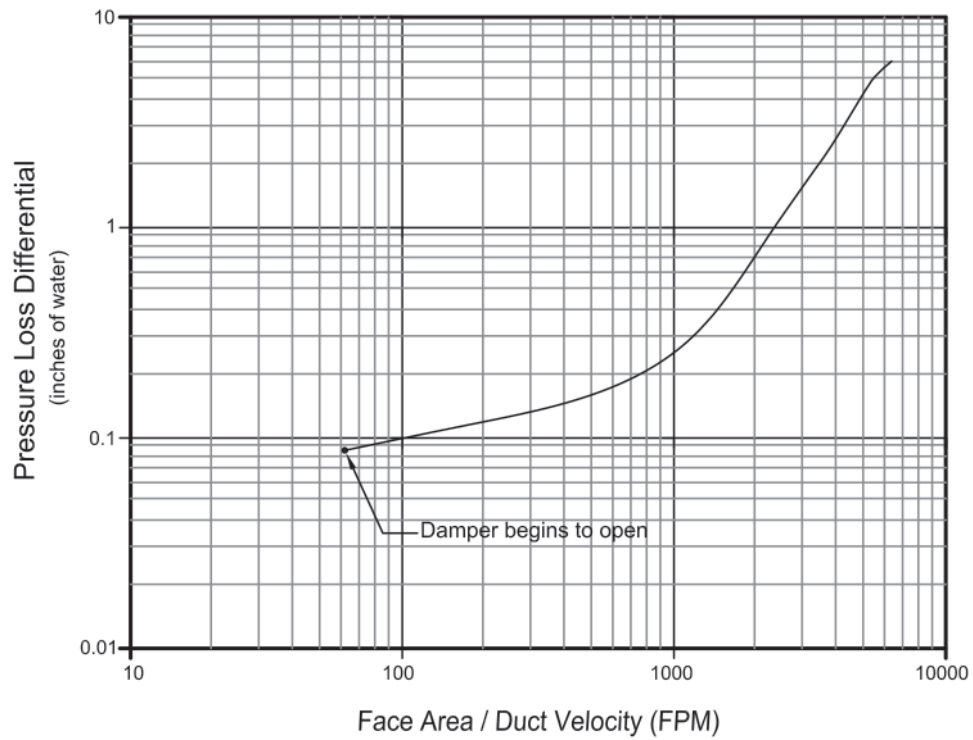
No Flange



With Flange

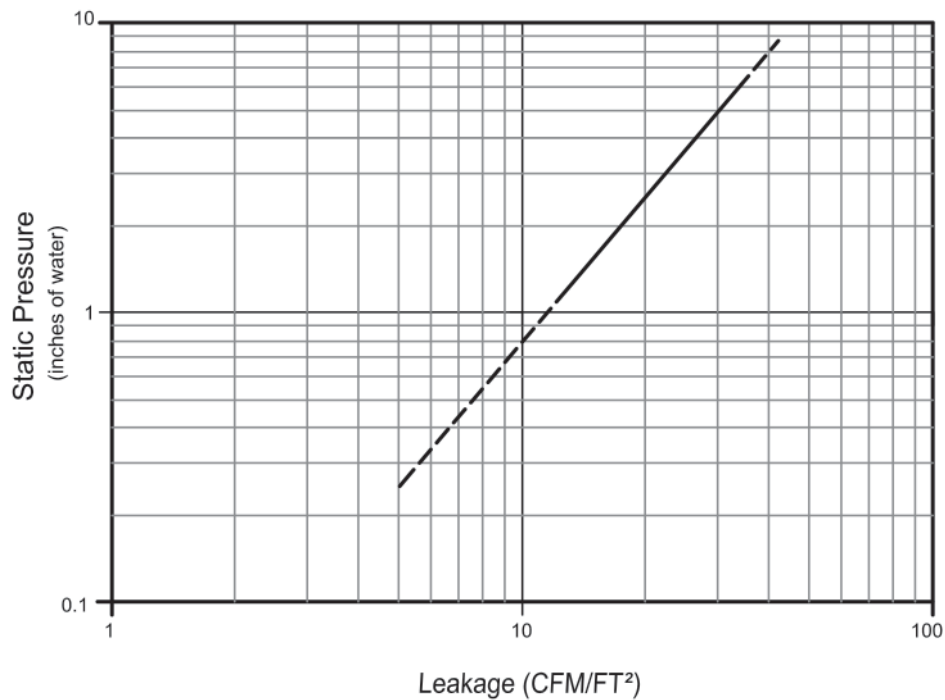


Pressure Drop



Tested per AMCA 500-D, Fig. 5.2
Damper size: 24" x 24"

Leakage



Tested per AMCA 500-D, Fig. 5.2 & 6.6
Damper size: 24" x 24"