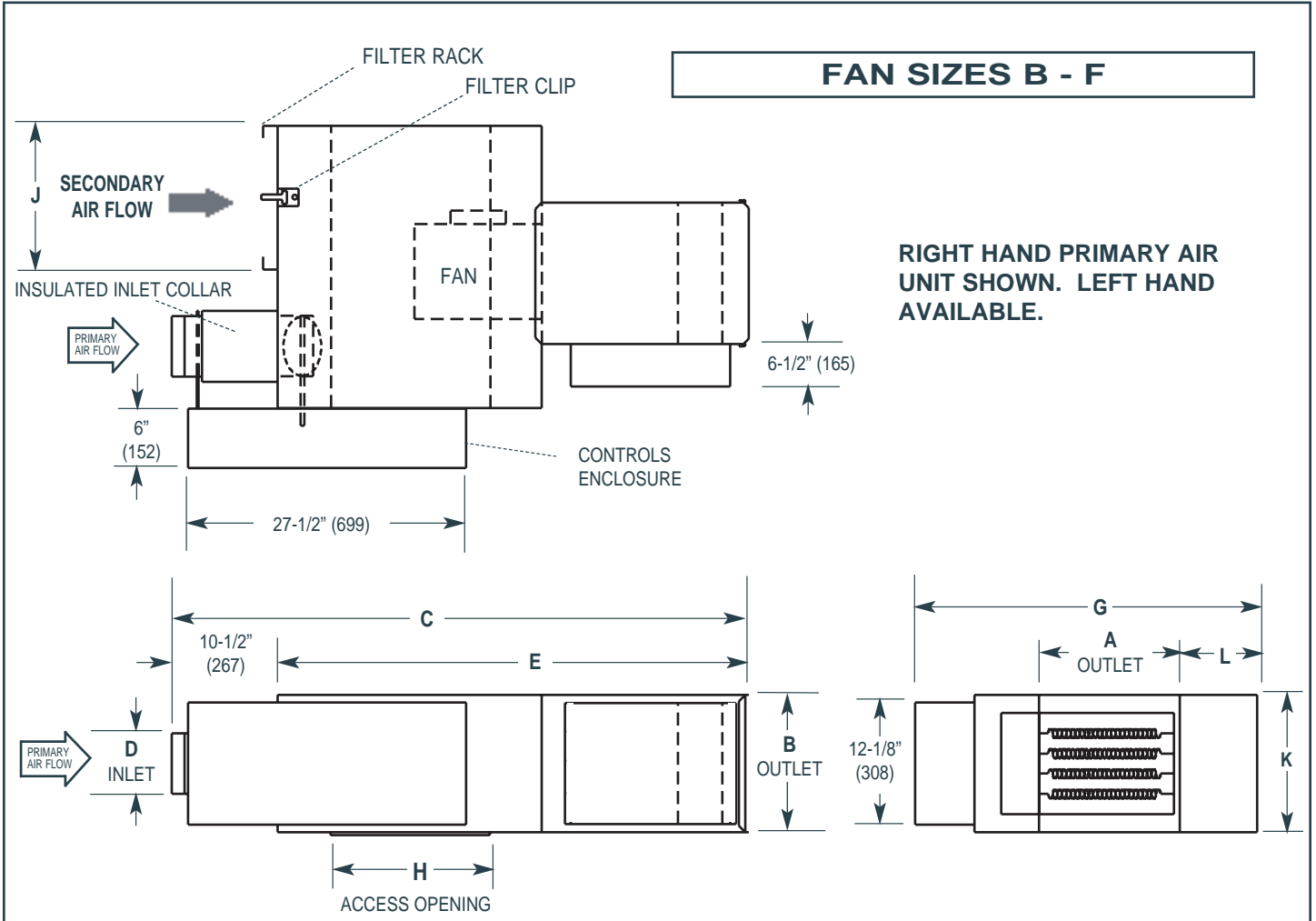


Imperial [IP] Dimensions
Metric (SI) in Parentheses

CARNES COMPANY, 448 S. Main St., P. O. Box 930040, Verona, WI 53593-0040 Phone (608) 845.6411 Fax: (608) 845.6470 carnes@carnes.com



DIMENSIONS LISTED IN INCHES (Millimeters)

Fan Size	Inlet Size	Primary CFM (L/s)	Sec. CFM @.25" E.S.P. (L/s)	Fan H.P.	Outlet		C	Inlet		G	H	J	K	L
					A	B		D	E					
B	06	400 (189)	400 (189)	1/3				5-7/8 (149)						
C	07	600 (283)	600 (283)	1/3	14 (356)	14 (356)		6-7/8 (175)		29 (737)		12 (305)	14 (356)	4-1/2 (114)
D	08	1000 (472)	1000 (472)	1/3			63-3/4 (1619)	7-7/8 (200)	53-1/4 (1353)		20 (508)			
E	10	1500 (708)	1500 (708)	1				9-7/8 (251)						
F	12	2100 (991)	2100 (991)	1	16 (406)	17-1/2 (445)		11-7/8 (302)		40-1/2 (1029)		19-1/4 (489)	17-1/2 (445)	*13-1/2 (343)

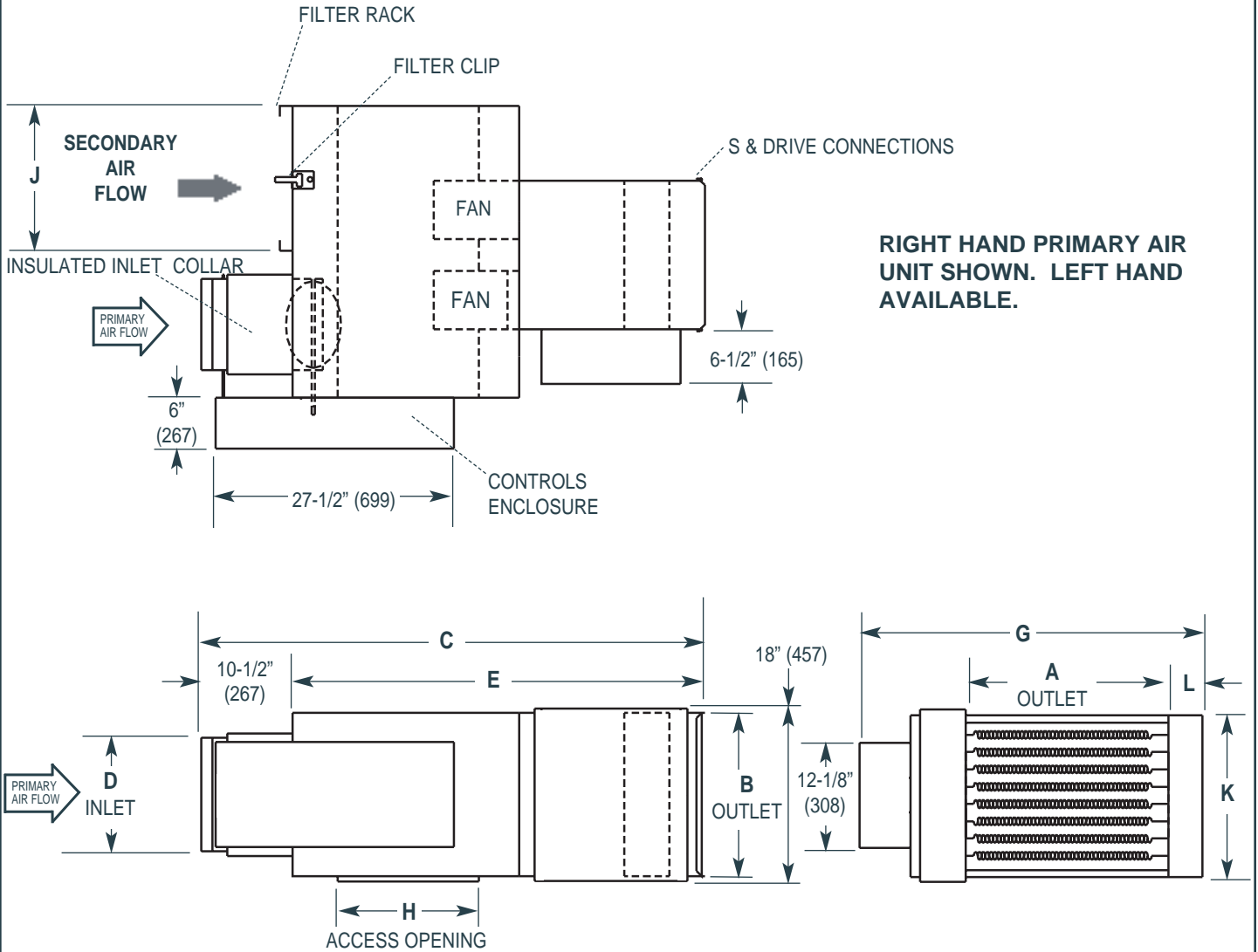
Note: Outlet is designed for slip and drive duct connection.

*Left hand dimension is 4-7/8 (124).

Imperial [IP] Dimensions
Metric (SI) in Parentheses

CARNES COMPANY, 448 S. Main St., P. O. Box 930040, Verona, WI 53593-0040 Phone (608) 845.6411 Fax: (608) 845.6470 carnes@carnes.com

FAN SIZES G and H



DIMENSIONS LISTED IN INCHES (Millimeters)

Fan Size	Inlet Size	Primary Nomnal CFM (L/s)	Sec. Nom. CFM @ .25" E.S.P. (L/s)	Fan H.P.	Outlet		Inlet	E	G	H	J	K	L
					A	B							
G	14	3100 (1462)	3100 (1462)	1 (2)									
					32 (813)	17-1/2 (445)	63-1/4 (1607)	13-7/8 (352)	53-1/4 (1353)	56 (1422)	17-3/4 (451)	28-1/4 (718)	17-1/2 (445)
H	16	3800 (1792)	3800 (1792)	1 (2)			15-7/8 (403)						

Note: Outlet is designed for slip and drive duct connection.