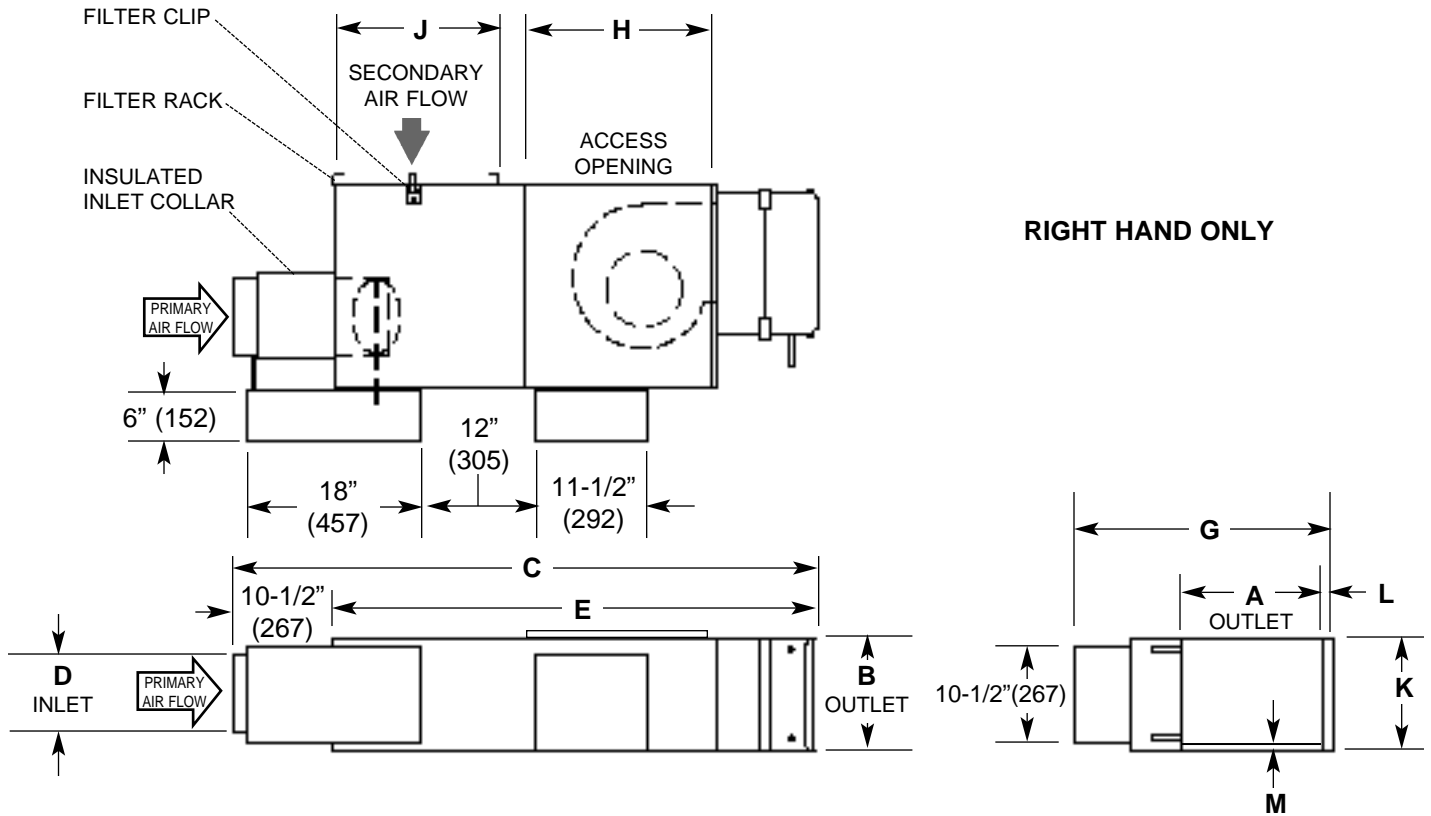


Imperial [IP] Dimensions
Metric (SI) in Parentheses

CARNES COMPANY, 448 S. Main St., P. O. Box 930040, Verona, WI 53593-0040 Phone (608) 845.6411 Fax: (608) 845.6470 carnes@carnes.com www.carnes.com



DIMENSIONS LISTED IN INCHES (Millimeters)																			
Unit Size	Fan Size	Inlet Size	Primary CFM (L/s)	Secondary CFM (L/s) @ .25 E.S.P.	Fan H.P.	Outlet		C 1-Row	C 2-Row	Inlet		E 1-Row	E 2-Row	G	H	J	K	L	M
						A	B			D	D								
U1	A	05	350 (165)	290 (137)	1/6					4-7/8 (124)									
U2	B	06	500 (236)	420 (198)	1/6	12 (305)	10 (254)	56-1/2 (1435)	58 (1473)	5-7/8 (149)	46-1/8 (1172)	47-1/2 (1207)	27 (685)	19-1/4 (489)	16 (406)	10-1/2 (267)	1/2 (13)	1/2 (13)	
U3	C	07	700 (330)	680 (321)	1/6					6-7/8 (175)									
U4	D	08	1000 (472)	1000 (472)	1/4					7-7/8 (200)								1/2 (13)	
U5	E	10	1500 (708)	1525 (720)	1/2	14 (356)	12-1/2 (318)	56-1/2 (1435)	58 (1473)	9-7/8 (251)	46-1/8 (1172)	47-1/2 (1207)	27 (685)	19-1/4 (489)	17 (432)	12-1/2 (318)	--	--	

NOTE: Outlet is designed for slip and drive duct connection.