

- CONTROL TYPE**
- CA - Pneumatic Actuator with Mechanical Max./Min. Stops by Carnes
  - CM - Pneumatic Actuator by Carnes
  - CE - Pneumatic Actuator by Carnes, Reset Controller by Carnes
  - CX - Pneumatic Actuator by Carnes (Multi-function) Reset Controller by Carnes
  - EA - Electric Actuator by Carnes (Enclosure Included)
  - EB - Electric Actuator by Carnes, Changeover Thermostat by Carnes (Enclosure Included)
  - ET - Analog Electronic Velocity Controller with Integral Damper Actuator (Enclosure Included)
  - EL - Analog Electronic Velocity Controller with Integral Damper Actuator and Cooling/Heating Changeover (Enclosure Included)
  - DO - DDC Provided by Others, Mounted and Wired by Carnes, w/Carnes Inlet Sensor, w/ 3/8" Damper Shaft, w/Enclosure
  - DE - DDC Enclosure with Carnes Inlet Sensor, w/Bare 3/8" Damper Shaft
  - MA - Manual Damper by Carnes
  - NS - No Damper Controls, w/Carnes Inlet Sensor, w/Bare 3/8" Damper Shaft (No Enclosure)

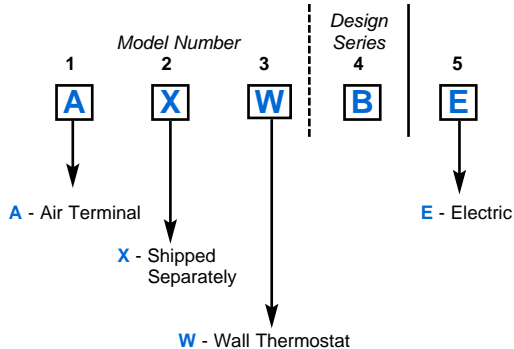
- CONTROLS, DAMPERS AND COIL ARRANGEMENTS**
- \* 1 - Normally Open - Right Hand Controls (All Electric/Electronic/Manual Control Types/DO, DE, NS) (All Pneumatic Control Types for Reverse Acting Thermostat)
  - \* 2 - Normally Open - Left Hand Controls (All Electric/Electronic/Manual Control Types/DO, DE, NS) (All Pneumatic Control Types for Reverse Acting Thermostat)
  - 3 - Normally Closed - Right Hand Controls (All Pneumatic Control Types for Direct Acting Thermostat)
  - 4 - Normally Closed - Left Hand Controls (All Pneumatic Control Types for Direct Acting Thermostat)
  - 5 - Normally Open - Right Hand Controls (All Pneumatic Control Types for Direct Acting Thermostat)
  - 6 - Normally Open - Left Hand Controls (All Pneumatic Control Types for Direct Acting Thermostat)
  - 7 - Normally Closed - Right Hand Controls (All Pneumatic Control Types for Reverse Acting Thermostat)
  - 8 - Normally Closed - Left Hand Controls (All Pneumatic Control Types for Reverse Acting Thermostat)

- ACTUATOR VENDOR**
- C - Carnes OEM (Pneu. or Elec.)
  - D - DDC Actuator (DO Option Only)
  - N - Not Applicable (NS, DE Option Only)

\* Electric, Electronic and DDC Units **DO NOT** fail open. '1' or '2' is used for Right or Left Hand Only. Electric/Electronic Units are shipped with the Damper in the Open Position.

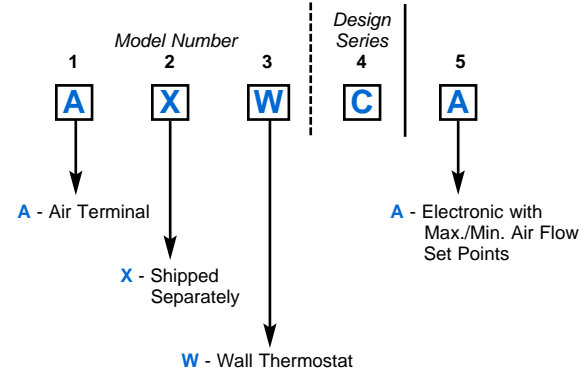
**NOTE:** Hand of controls is determined by facing the averaging flow sensor (inlet of the unit) with the supply air hitting the back of your head.

### ▼ Electric Thermostat



A Carnes Electric Thermostat **must be ordered** with the Electric EA and EB Control Options.

### ▼ Electronic Thermostat



A Carnes Electronic Thermostat **must be ordered** with the ET Electronic Control Option.