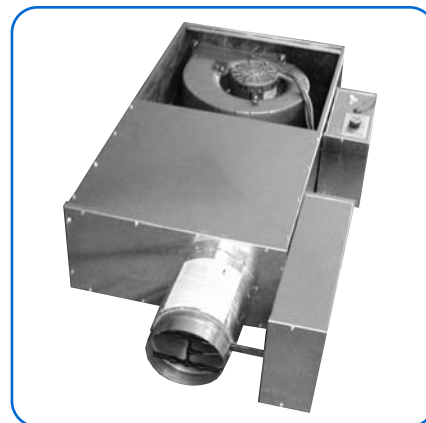


Models **ACF w/o Reheat**
 ACW w/ Hot Water Reheat
 ACE w/ Electric Reheat

The **Carnes** low profile constant volume fan terminal unit provides constant air volume to the space while retaining the advantages of a variable air volume system.

The primary air control assembly operates in the same manner as a standard throttling control valve when cooling loads are high. As cooling loads diminish the integral blower induces warm ceiling plenum air to maintain constant air volume.



Features Include:

- Air flow capacities to 1500 CFM.
- Durable 22 gauge galvanized steel casing construction.
- Access panel for internal components.
- Standard inlet sizes and flange or slip and drive discharge connections.
- Forward curved centrifugal type fan assemblies with 120 or 277 volt, single phase, fractional horsepower PSC motors.
- Low leakage primary air damper design.
- Secondary air filter rack.
- Performance data based on tests conducted in accordance with AHRI Standard 880-2008.
- Pressure independent pneumatic or electronic controls available.
- Field adjustable P/E switch with pneumatic controls.
- Averaging type velocity sensor and calibration chart for measuring air flow through the primary air damper.
- Insulation is 1/2" thick, 2.0lb. dual density fiberglass with surface treated to prevent air erosion, UL listed and meets NFPA 90A requirements.
- Optional primary air controls enclosure.
- Optional one to four row hot water coils (Model ACW). Coil is factory attached to the unit discharge.
- Optional one or two stage electric reheat coils (Model ACE). Coil is factory attached to unit discharge or shipped separately for field mounting.
- Optional secondary air filters, Class I (re-usable) or Class II (throw away).
- Optional foil coated insulation (Hospital, Laboratory, etc. applications).
- Optional ETL listing.

Available Modules:

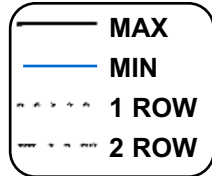
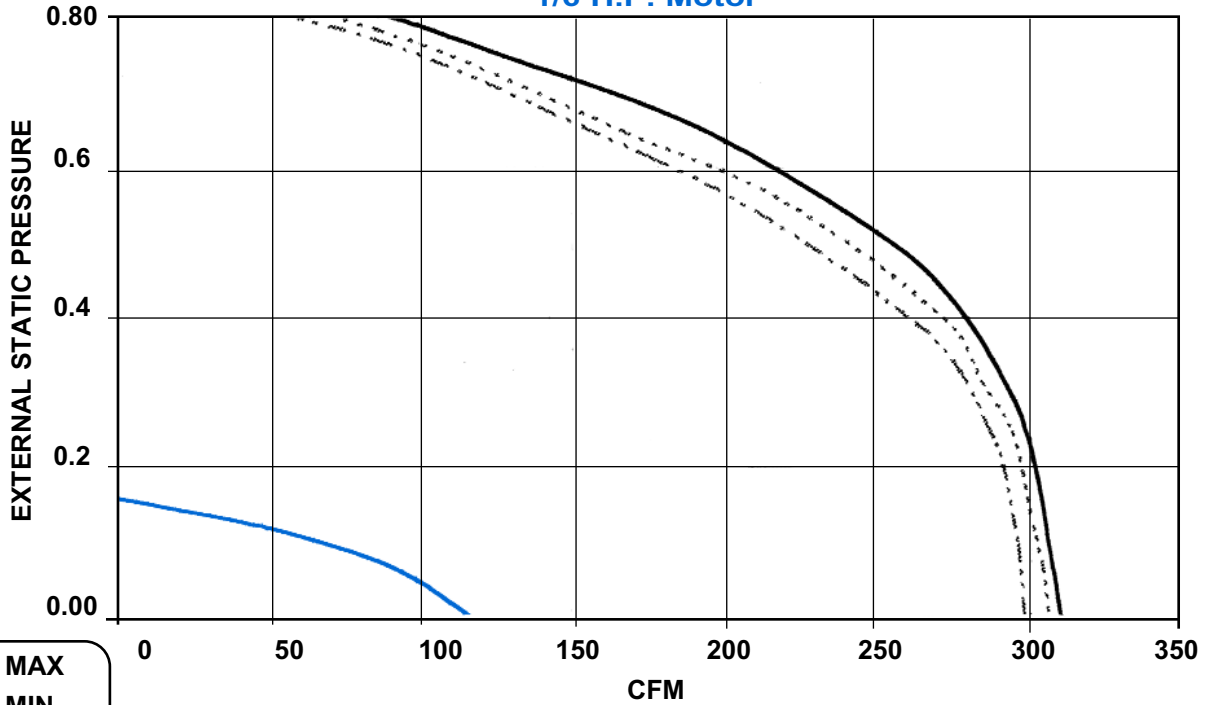
- Basic control unit — **Model ACF.**
- Basic control unit with hot water coil — **Model ACW.**
- Basic control unit with electric coil — **Model ACE.**



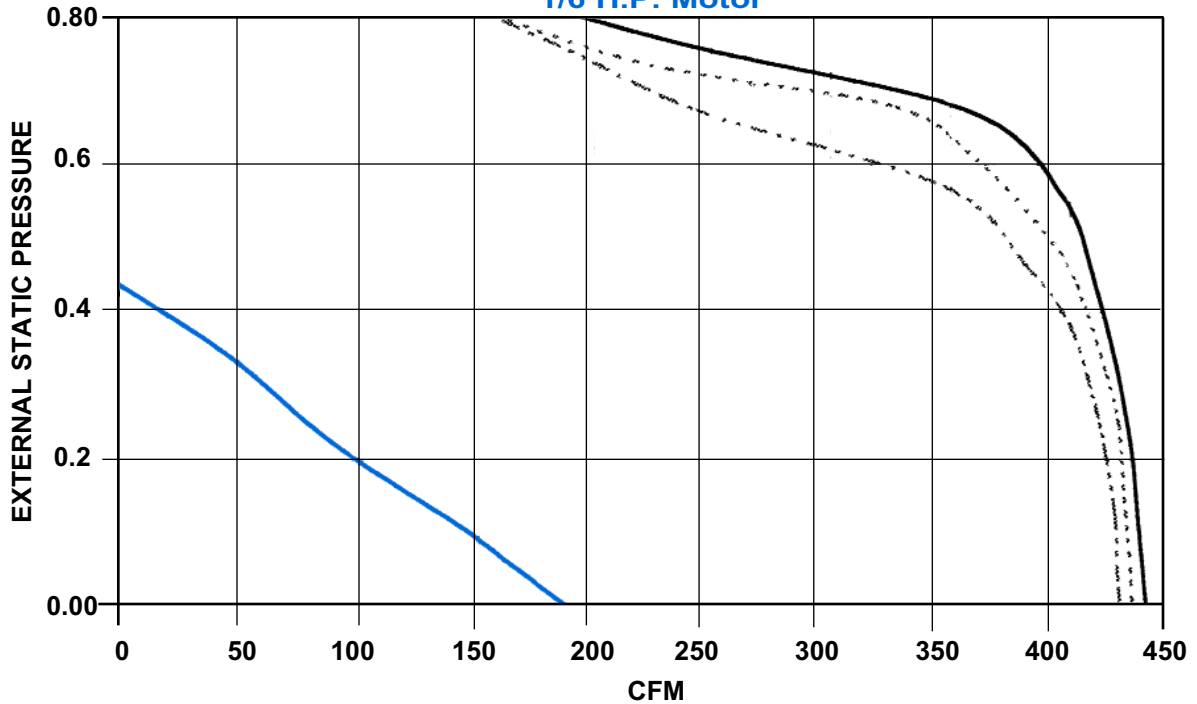
A Participating Member
 in the AHRI 880
 Certification Program

FAN CURVES CFM vs EXTERNAL STATIC PRESSURE

FAN SIZE A - AC L1
1/6 H.P. Motor



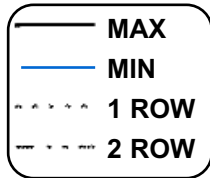
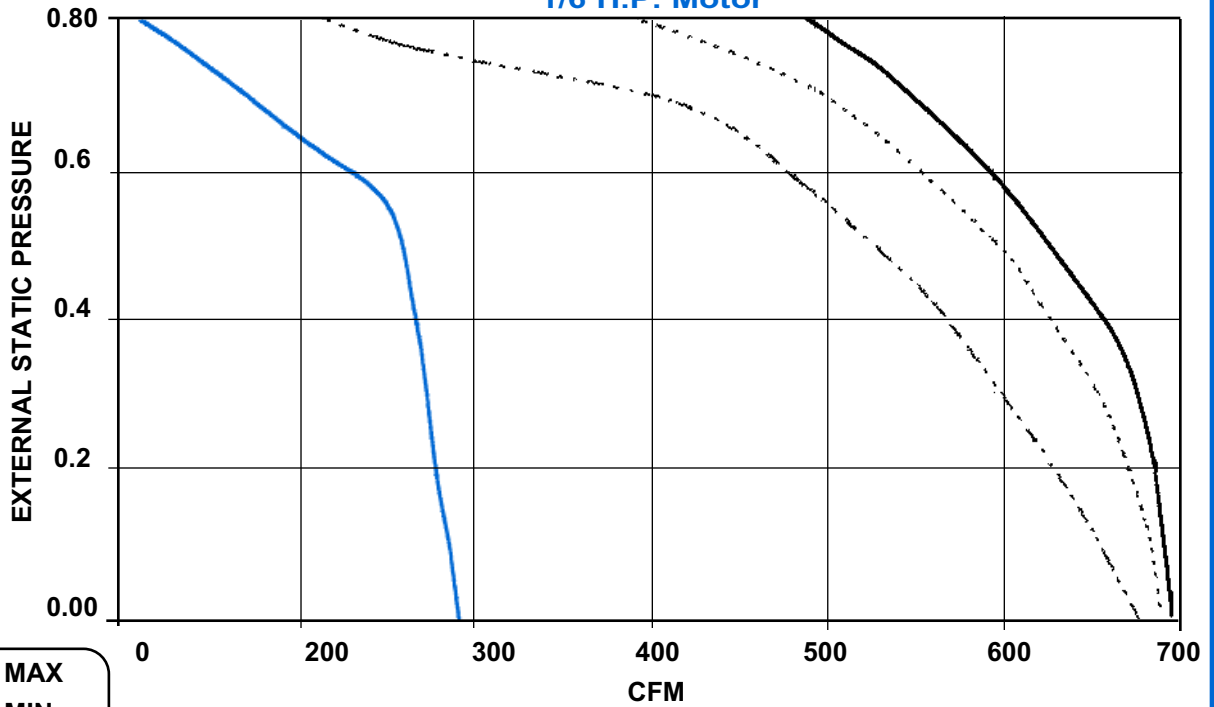
FAN SIZE B - AC L2
1/6 H.P. Motor



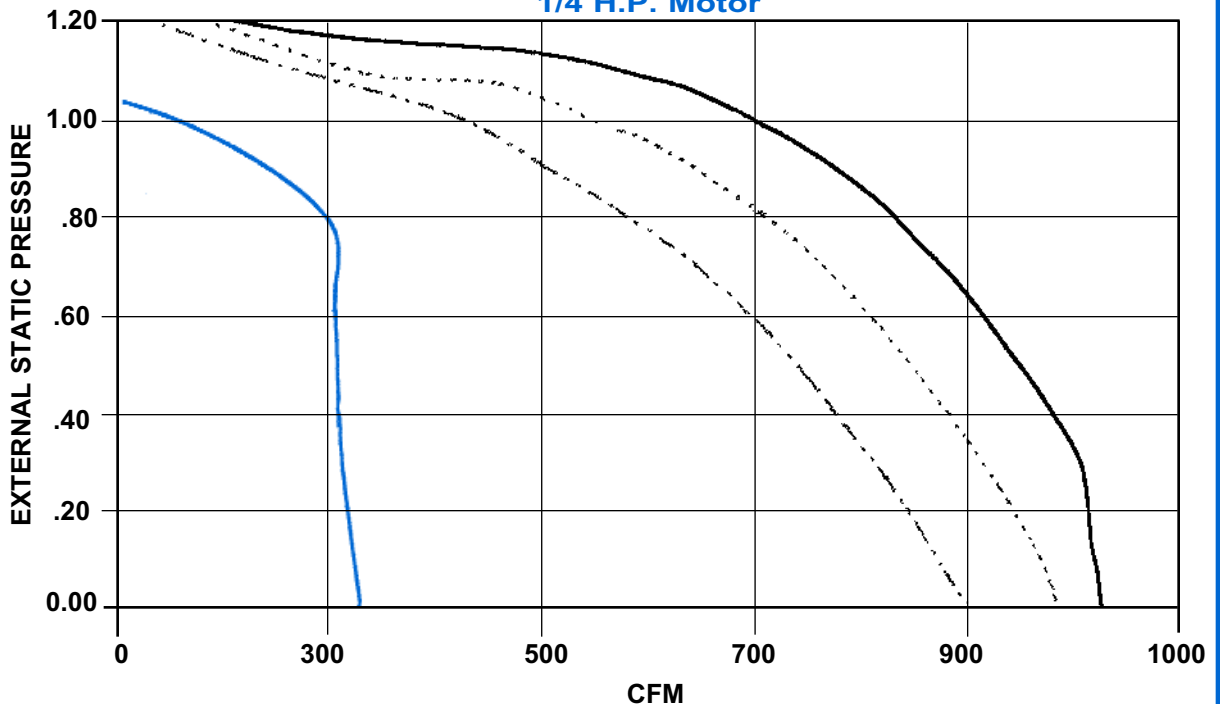
- NOTES:
1. External Static Pressure (ESP) consists of down stream ductwork, coils, flex, duct, etc.
 2. Pressure drop due to heating coils are treated as external static pressure.
 3. For proper operation, the downstream ESP must be at least 0.20" W. G.

FAN CURVES CFM vs EXTERNAL STATIC PRESSURE

FAN SIZE C - AC L3
1/6 H.P. Motor



FAN SIZE D - AC L4
1/4 H.P. Motor

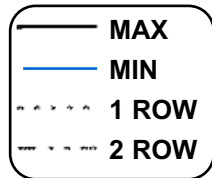
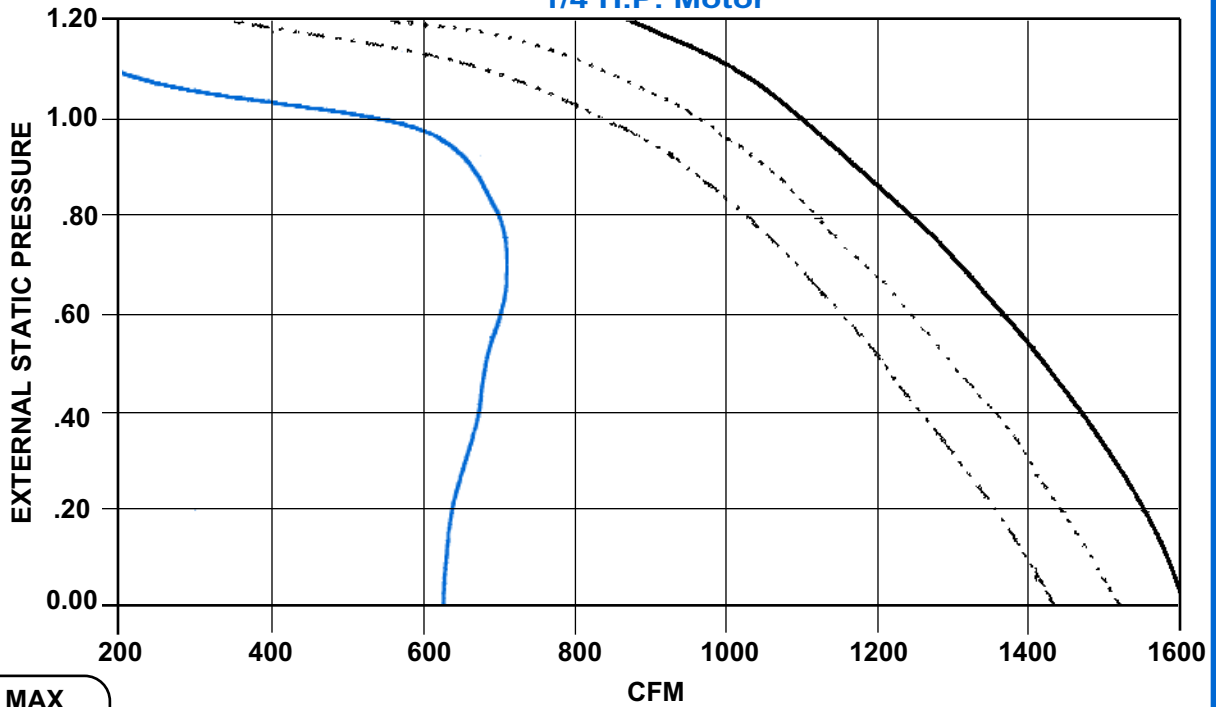


- NOTES:
1. External Static Pressure (ESP) consists of down stream ductwork, coils, flex, duct, etc.
 2. Pressure drop due to heating coils are treated as external static pressure.
 3. For proper operation, the downstream ESP must be at least 0.20" W. G.

Fan Powered Units

FAN CURVES CFM vs EXTERNAL STATIC PRESSURE

FAN SIZE E - AC L5
1/4 H.P. Motor



- NOTES:**
1. External Static Pressure (ESP) consists of down stream ductwork, coils, flex, duct, etc.
 2. Pressure drop due to heating coils are treated as external static pressure.
 3. For proper operation, the downstream ESP must be at least 0.20" W. G.

UNIT SIZE - L1
Inlet Size - 5"

(FAN ON — 100% Primary Air/Mix/100% Secondary Air)

Primary/ Secondary CFM	Primary Air Δ P _s	Discharge Sound							Max. NC	Radiated Sound							Max. NC
		Sound Power db Octave Band								Sound Power db Octave Band							
		2	3	4	5	6	7	2		3	4	5	6	7			
295/0	.286	57	54	54	51	45	39	11	58	54	50	45	36	29	24		
	.50	61	55	56	54	47	40	15	60	54	52	49	39	30	26		
	1.00	60	56	58	56	49	41	14	60	56	55	51	42	35	30		
	1.50	62	57	59	57	50	41	17	63	57	57	52	46	40	32		
	3.00	64	59	60	59	51	43	19	63	58	59	51	49	45	34		
150/150	.50	53	50	52	50	43	36	--	54	47	45	43	35	24	19		
	1.00	53	50	52	50	44	37	--	54	48	47	44	39	34	21		
	1.50	53	51	53	51	45	38	--	54	50	48	46	42	40	22		
	3.00	54	52	54	52	46	39	--	55	51	51	49	48	48	25		
0/295	—	51	48	52	50	42	35	--	53	45	44	44	32	21	18		
150/0	.069	47	43	44	40	31	22	--	52	45	41	38	27	20	14		
	.50	51	46	48	43	33	23	--	52	46	43	41	32	24	16		
	1.00	51	47	49	44	34	24	--	52	47	46	43	39	34	20		
	1.50	52	48	50	45	35	24	--	53	48	47	45	42	39	21		
	3.00	53	50	52	48	37	29	--	53	49	50	49	48	48	24		
75/75	.50	45	42	43	39	29	21	--	51	44	41	39	31	24	14		
	1.00	47	43	44	39	30	22	--	51	44	43	41	36	34	16		
	1.50	47	44	45	40	31	22	--	52	45	44	42	40	41	18		
	3.00	48	45	47	42	34	27	--	52	45	45	45	46	48	19		
0/150	--	42	42	45	39	27	21	--	53	45	41	38	27	20	14		
75/0	.018	42	39	40	33	22	20	--	48	39	35	31	19	20	8		
	.50	44	41	41	35	23	20	--	48	41	39	35	29	23	12		
	1.00	44	42	42	37	26	20	--	49	42	41	39	36	34	14		
	1.50	45	43	43	38	27	21	--	49	42	42	40	40	40	15		
	3.00	47	45	46	41	32	24	--	49	43	45	44	46	49	19		
38/38	.50	42	39	40	34	22	20	--	49	41	39	34	28	22	12		
	1.00	42	40	41	35	24	20	--	48	40	39	37	36	36	12		
	1.50	42	41	42	36	26	21	--	49	40	39	38	39	42	12		
	3.00	42	41	42	36	27	24	--	49	41	40	41	43	43	13		
0/75	--	41	40	42	34	22	20	--	48	39	35	31	19	20	--		

- NOTES:**
1. Δ P_s static pressure difference from inlet to discharge.
 2. Δ P_s is the minimum pressure required to deliver CFM shown with primary damper in wide open position.
 3. Δ P_s does not include hot water or electric coils.
 4. Dash (-) indicates NC levels less than 10.

NC Levels are derived from tests conducted in accordance with AHRI Standard 880-2008 and are calculated in accordance with AHRI Standard 885-2008 as application data based on the following:

Discharge NC levels are based on —

- a) 5 foot rectangular duct lined with 1" fiberglass insulation.
- b) 5 foot lined flex duct (8" diameter).
- c) Flow division.
- d) Space effect factor (2400ft³) at 5 feet from outlet.
- e) End reflection.
- f) Environmental adjustment factor.

Radiated NC levels are based on —

- a) Plenum/ceiling effect - 5/8" mineral fiber tile, 35 lb/ft³ - 3 foot plenum
- b) Environmental adjustment factor.

NC is not part of the AHRI 880 Certification Program.

Fan Powered Units

UNIT SIZE - L2
Inlet Size - 6"

(FAN ON — 100% Primary Air/Mix/100% Secondary Air)

Primary/ Secondary CFM	Primary Air ΔP_s	Discharge Sound							Max. NC	Radiated Sound							Max. NC
		Sound Power db Octave Band								Sound Power db Octave Band							
		2	3	4	5	6	7	2		3	4	5	6	7			
420/0	.229	59	58	58	56	53	48	15	61	56	53	49	39	29	27		
	.50	60	58	59	59	55	49	15	61	56	55	55	42	32	30		
	1.00	61	58	60	59	55	49	15	61	58	57	56	44	37	32		
	1.50	62	59	60	59	56	49	16	63	59	59	57	47	42	34		
	3.00	64	61	61	60	57	50	18	64	60	60	60	52	49	35		
210/210	.50	57	55	57	56	53	48	12	57	51	50	49	39	29	24		
	1.00	57	55	57	56	53	48	12	57	52	51	50	41	35	25		
	1.50	57	56	57	57	54	49	14	58	53	52	50	44	41	26		
	3.00	58	57	58	57	54	49	15	58	54	56	54	50	49	31		
0/420	--	54	54	56	55	52	47	11	56	49	49	48	38	26	23		
300/0	.117	51	50	51	47	41	35	--	53	48	45	42	30	20	19		
	.50	54	52	55	52	44	36	--	55	50	49	48	35	27	23		
	1.00	55	53	55	52	45	36	10	56	52	52	51	40	35	26		
	1.50	55	54	55	53	45	37	11	57	53	54	52	43	41	28		
	3.00	58	56	58	56	49	39	14	59	56	58	56	50	49	33		
150/150	.50	50	48	50	47	41	33	--	51	46	45	43	32	24	19		
	1.00	50	48	51	48	41	34	--	52	47	47	45	37	35	21		
	1.50	51	49	52	49	42	34	--	53	48	49	46	41	39	23		
	3.00	52	50	53	50	42	34	--	53	50	52	50	48	48	26		
0/300	--	48	46	49	46	40	32	--	52	45	44	43	31	20	18		
200/0	.05	47	46	47	43	36	29	--	51	45	42	40	28	20	15		
	.50	49	48	52	47	38	30	--	51	46	45	45	32	24	19		
	1.00	50	49	53	49	39	31	--	52	48	49	47	38	34	23		
	1.50	51	50	55	49	40	31	--	53	49	51	49	42	40	25		
	3.00	54	53	57	53	43	34	11	54	52	55	53	49	48	30		
100/100	.50	46	45	47	43	35	26	--	51	45	43	41	31	24	16		
	1.00	47	46	47	44	36	27	--	51	45	45	42	36	34	19		
	1.50	48	46	48	44	36	27	--	51	46	46	44	40	40	20		
	3.00	48	48	50	45	38	30	--	52	47	49	48	47	48	23		
0/200	--	46	44	47	42	34	24	--	51	44	44	41	30	20	18		

- NOTES:**
1. ΔP_s static pressure difference from inlet to discharge.
 2. ΔP_s is the minimum pressure required to deliver CFM shown with primary damper in wide open position.
 3. ΔP_s does not include hot water or electric coils.
 4. Dash (-) indicates NC levels less than 10.

NC Levels are derived from tests conducted in accordance with AHRI Standard 880-2008 and are calculated in accordance with AHRI Standard 885-2008 as application data based on the following:

Discharge NC levels are based on —

- a) 5 foot rectangular duct lined with 1" fiberglass insulation.
- b) 5 foot lined flex duct (8" diameter).
- c) Flow division.
- d) Space effect factor (2400ft³) at 5 feet from outlet.
- e) End reflection.
- f) Environmental adjustment factor.

Radiated NC levels are based on —

- a) Plenum/ceiling effect - 5/8" mineral fiber tile, 35 lb/ft³ - 3 foot plenum
- b) Environmental adjustment factor.

NC is not part of the AHRI 880 Certification Program.

UNIT SIZE - L3
Inlet Size - 7"

(FAN ON — 100% Primary Air/Mix/100% Secondary Air)

Primary/ Secondary CFM	Primary Air ΔP_s	Discharge Sound							Max. NC	Radiated Sound							Max. NC
		Sound Power db Octave Band								Sound Power db Octave Band							
		2	3	4	5	6	7	2		3	4	5	6	7			
680/0	.244	68	67	66	66	64	62	26	70	63	59	58	49	40	35		
	.50	70	69	68	67	66	63	28	70	63	60	59	51	41	35		
	1.00	71	69	68	67	66	63	28	71	64	62	61	52	43	37		
	1.50	71	69	67	67	66	63	28	71	65	63	61	53	45	38		
	3.00	72	70	68	68	67	64	29	74	67	64	64	55	51	40		
340/340	.50	67	65	66	65	64	62	26	68	60	57	56	48	39	32		
	1.00	67	66	66	65	64	62	26	68	60	58	57	49	41	33		
	1.50	67	66	66	65	64	62	26	68	61	59	57	50	43	34		
	3.00	67	66	66	65	64	62	26	68	62	61	60	53	50	36		
0/680	--	66	64	65	65	63	62	26	68	59	55	56	48	39	32		
450/0	.105	57	57	59	57	54	50	14	59	53	52	52	40	28	26		
	.50	59	57	60	59	56	51	15	61	55	53	55	42	32	27		
	1.00	60	58	60	60	56	52	16	62	56	56	56	44	37	31		
	1.50	61	59	61	60	57	52	16	63	57	57	57	46	41	32		
	3.00	63	61	62	61	57	52	18	64	59	61	61	52	50	36		
225/225	.50	58	56	59	57	55	51	14	59	52	51	51	40	31	25		
	1.00	58	57	59	57	55	51	15	59	53	53	51	42	37	27		
	1.50	58	57	59	57	55	51	15	60	53	54	53	44	41	28		
	3.00	59	57	59	58	55	51	15	60	55	56	55	50	48	31		
0/450	--	57	55	57	57	54	50	14	60	51	50	50	40	28	24		
300/0	.047	51	50	52	49	44	38	--	54	47	45	46	33	22	19		
	.50	52	51	54	52	46	39	--	55	50	48	49	36	27	22		
	1.00	54	53	55	53	47	40	10	57	51	51	50	39	36	25		
	1.50	54	53	55	53	47	40	10	57	52	54	53	43	41	28		
	3.00	56	55	57	55	48	41	12	58	55	58	57	50	49	33		
150/150	.50	51	50	52	50	45	38	--	55	47	46	46	34	27	20		
	1.00	52	50	52	50	45	38	--	55	48	48	47	38	35	22		
	1.50	52	50	53	51	45	38	--	55	48	49	48	41	39	23		
	3.00	53	51	53	51	45	38	--	57	50	51	51	48	48	25		
0/300	--	50	50	52	50	45	38	--	56	46	45	47	33	21	19		

- NOTES:**
1. ΔP_s static pressure difference from inlet to discharge.
 2. ΔP_s is the minimum pressure required to deliver CFM shown with primary damper in wide open position.
 3. ΔP_s does not include hot water or electric coils.
 4. Dash (-) indicates NC levels less than 10.

NC Levels are derived from tests conducted in accordance with AHRI Standard 880-2008 and are calculated in accordance with AHRI Standard 885-2008 as application data based on the following:

Discharge NC levels are based on —

- a) 5 foot rectangular duct lined with 1" fiberglass insulation.
- b) 5 foot lined flex duct (8" diameter).
- c) Flow division.
- d) Space effect factor (2400ft³) at 5 feet from outlet.
- e) End reflection.
- f) Environmental adjustment factor.

Radiated NC levels are based on —

- a) Plenum/ceiling effect - 5/8" mineral fiber tile, 35 lb/ft³ - 3 foot plenum
- b) Environmental adjustment factor.

NC is not part of the AHRI 880 Certification Program.

Fan Powered Units

UNIT SIZE - L4
Inlet Size - 8"

(FAN ON — 100% Primary Air/Mix/100% Secondary Air)

Primary/ Secondary CFM	Primary Air ΔP_s	Discharge Sound							Max. NC	Radiated Sound							Max. NC
		Sound Power db Octave Band								Sound Power db Octave Band							
		2	3	4	5	6	7	2		3	4	5	6	7			
1000/0	.268	75	73	72	71	69	69	32	74	67	63	62	54	45	40		
	.50	77	75	73	72	71	70	34	76	70	65	65	56	47	43		
	1.00	77	76	73	72	71	70	35	76	70	65	65	57	48	43		
	1.50	78	76	73	72	71	70	35	77	71	67	66	57	50	44		
	3.00	79	78	74	73	72	71	37	79	73	69	68	60	55	46		
500/500	.50	77	75	73	72	71	70	35	75	67	62	62	54	46	41		
	1.00	77	75	73	72	71	70	35	75	67	62	62	54	47	41		
	1.50	77	75	73	72	71	70	35	76	67	63	62	55	48	43		
	3.00	77	76	73	73	71	70	36	75	68	65	65	57	53	41		
0/1000	--	75	73	71	71	69	69	32	75	65	61	61	54	46	41		
750/0	.148	68	65	65	65	61	60	24	68	60	58	57	46	36	33		
	.50	70	68	67	66	64	62	26	71	63	59	61	50	40	36		
	1.00	70	68	67	67	64	62	26	71	64	61	61	50	43	36		
	1.50	71	68	67	67	64	62	26	71	65	63	63	52	46	38		
	3.00	72	69	68	67	65	62	27	72	67	66	66	56	53	42		
375/375	.50	69	67	66	66	63	62	26	71	60	57	58	49	40	36		
	1.00	70	67	66	66	63	62	26	71	61	58	58	50	42	36		
	1.50	70	67	66	66	63	62	26	71	62	60	59	51	45	36		
	3.00	70	67	67	66	63	62	26	71	63	62	63	54	51	37		
0/750	--	69	66	66	66	64	63	27	72	60	57	57	51	44	37		
500/0	.066	59	58	59	58	53	50	15	63	54	51	51	39	26	26		
	.50	61	60	61	60	56	52	17	65	56	55	55	43	33	30		
	1.00	63	60	61	60	56	52	17	65	58	56	56	45	39	31		
	1.50	63	61	61	61	56	52	18	65	59	59	58	48	44	34		
	3.00	63	62	62	61	56	52	19	66	62	64	63	53	52	39		
250/250	.50	61	59	59	59	55	53	17	65	54	52	52	41	32	28		
	1.00	62	59	59	59	55	53	17	66	55	54	54	44	38	30		
	1.50	62	59	59	59	55	53	17	66	56	55	55	46	43	30		
	3.00	62	60	60	60	55	53	18	66	58	58	59	51	50	33		
0/500	--	60	59	59	59	55	52	16	69	55	52	53	45	35	33		

- NOTES:**
1. ΔP_s static pressure difference from inlet to discharge.
 2. ΔP_s is the minimum pressure required to deliver CFM shown with primary damper in wide open position.
 3. ΔP_s does not include hot water or electric coils.
 4. Dash (-) indicates NC levels less than 10.

NC Levels are derived from tests conducted in accordance with AHRI Standard 880-2008 and are calculated in accordance with AHRI Standard 885-2008 as application data based on the following:

Discharge NC levels are based on —

- a) 5 foot rectangular duct lined with 1" fiberglass insulation.
- b) 5 foot lined flex duct (8" diameter).
- c) Flow division.
- d) Space effect factor (2400ft³) at 5 feet from outlet.
- e) End reflection.
- f) Environmental adjustment factor.

Radiated NC levels are based on —

- a) Plenum/ceiling effect - 5/8" mineral fiber tile, 35 lb/ft³ - 3 foot plenum
- b) Environmental adjustment factor.

NC is not part of the AHRI 880 Certification Program.

UNIT SIZE - L5
Inlet Size - 10"

(FAN ON — 100% Primary Air/Mix/100% Secondary Air)

Primary/ Secondary CFM	Primary Air Δ Ps	Discharge Sound							Max. NC	Radiated Sound							Max. NC
		Sound Power db Octave Band								Sound Power db Octave Band							
		2	3	4	5	6	7	2		3	4	5	6	7			
1525/0	.236	82	79	77	77	74	74	38	80	73	66	66	59	50	48		
	.50	84	79	77	77	75	74	39	82	74	67	67	60	51	50		
	1.00	84	81	78	78	76	74	41	82	75	69	69	62	53	50		
	1.50	85	81	79	78	77	75	41	83	77	70	70	62	54	52		
	3.00	86	81	79	79	77	75	41	85	79	43	73	64	58	54		
763/763	.50	81	78	76	76	74	73	37	77	71	65	66	59	51	44		
	1.00	81	78	76	76	74	73	37	77	71	66	66	60	51	44		
	1.50	81	78	76	76	74	74	37	77	71	66	67	60	51	44		
	3.00	81	78	77	77	76	75	38	79	72	68	69	61	55	46		
0/1525	--	80	77	75	75	73	72	36	77	70	63	64	58	49	44		
1200/0	.125	78	74	73	72	70	69	33	75	68	61	61	54	46	41		
	.50	78	75	74	73	71	69	34	76	69	63	64	56	47	43		
	1.00	78	75	74	73	71	69	34	78	71	65	65	57	48	45		
	1.50	78	75	74	73	71	69	34	79	72	66	67	58	50	46		
	3.00	81	77	75	74	72	70	36	80	74	70	70	61	56	48		
600/600	.50	78	74	72	72	69	69	34	73	67	61	62	54	46	39		
	1.00	78	74	72	72	69	69	34	73	67	62	63	55	47	39		
	1.50	78	74	73	72	69	69	34	73	67	63	64	55	49	39		
	3.00	78	74	73	73	70	69	34	76	69	65	67	58	53	43		
0/1200	--	78	72	72	72	69	68	31	73	64	60	60	54	45	39		
900/0	.078	70	65	66	65	62	60	24	66	59	56	55	48	38	31		
	.50	71	66	67	66	62	61	25	69	63	59	59	49	40	34		
	1.00	72	68	68	68	64	62	26	73	66	61	61	52	43	39		
	1.50	74	69	69	68	64	62	27	73	67	63	63	54	47	39		
	3.00	76	71	70	69	66	63	29	75	70	67	68	58	54	43		
450/450	.50	72	66	66	66	63	62	26	66	60	57	57	48	39	32		
	1.00	70	66	67	66	63	61	25	67	61	58	58	49	42	33		
	1.50	69	65	67	67	63	61	25	68	62	60	60	51	45	35		
	3.00	71	66	68	67	64	62	26	71	64	61	64	55	51	37		
0/900	--	69	64	66	65	62	61	25	67	58	55	56	48	38	31		

- NOTES:**
1. Δ Ps static pressure difference from inlet to discharge.
 2. Δ Ps is the minimum pressure required to deliver CFM shown with primary damper in wide open position.
 3. Δ Ps does not include hot water or electric coils.
 4. Dash (-) indicates NC levels less than 10.

NC Levels are derived from tests conducted in accordance with AHRI Standard 880-2008 and are calculated in accordance with AHRI Standard 885-2008 as application data based on the following:

Discharge NC levels are based on —

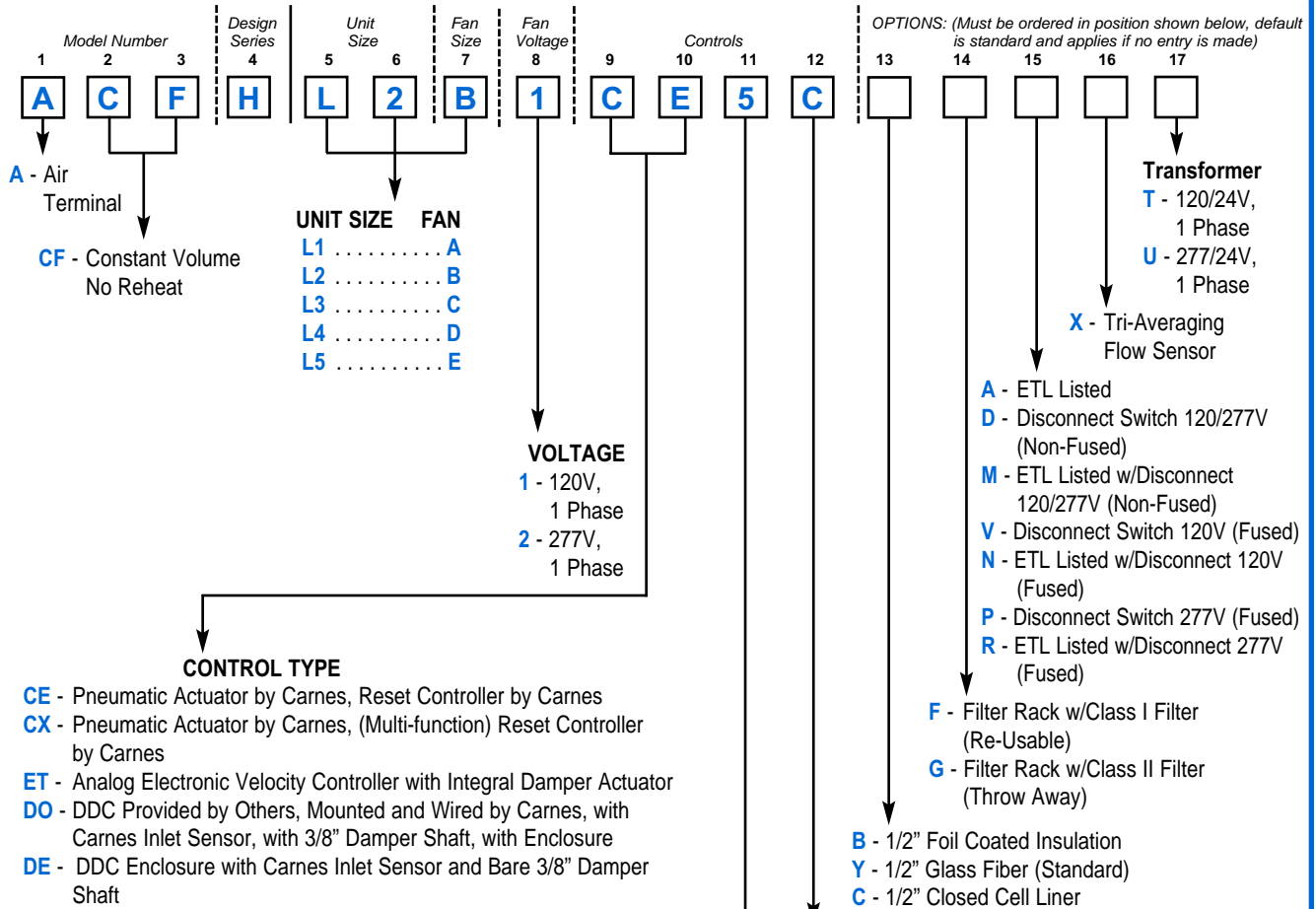
- a) 5 foot rectangular duct lined with 1" fiberglass insulation.
- b) 5 foot lined flex duct (8" diameter).
- c) Flow division.
- d) Space effect factor (2400ft³) at 5 feet from outlet.
- e) End reflection.
- f) Environmental adjustment factor.

Radiated NC levels are based on —

- a) Plenum/ceiling effect - 5/8" mineral fiber tile, 35 lb/ft³ - 3 foot plenum
- b) Environmental adjustment factor.

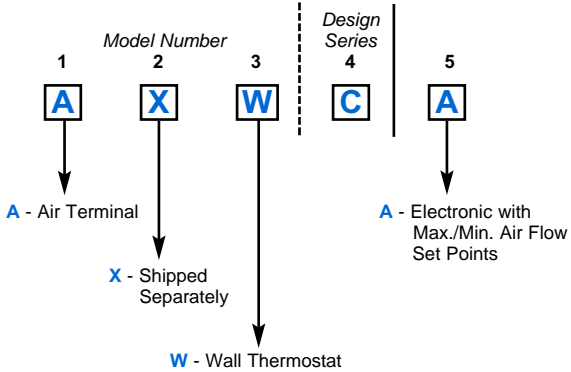
NC is not part of the AHRI 880 Certification Program.

Fan Powered Units



NOTE: Hand of controls is determined by facing the averaging flow sensor (inlet of the unit) with the supply air hitting the back of your head.

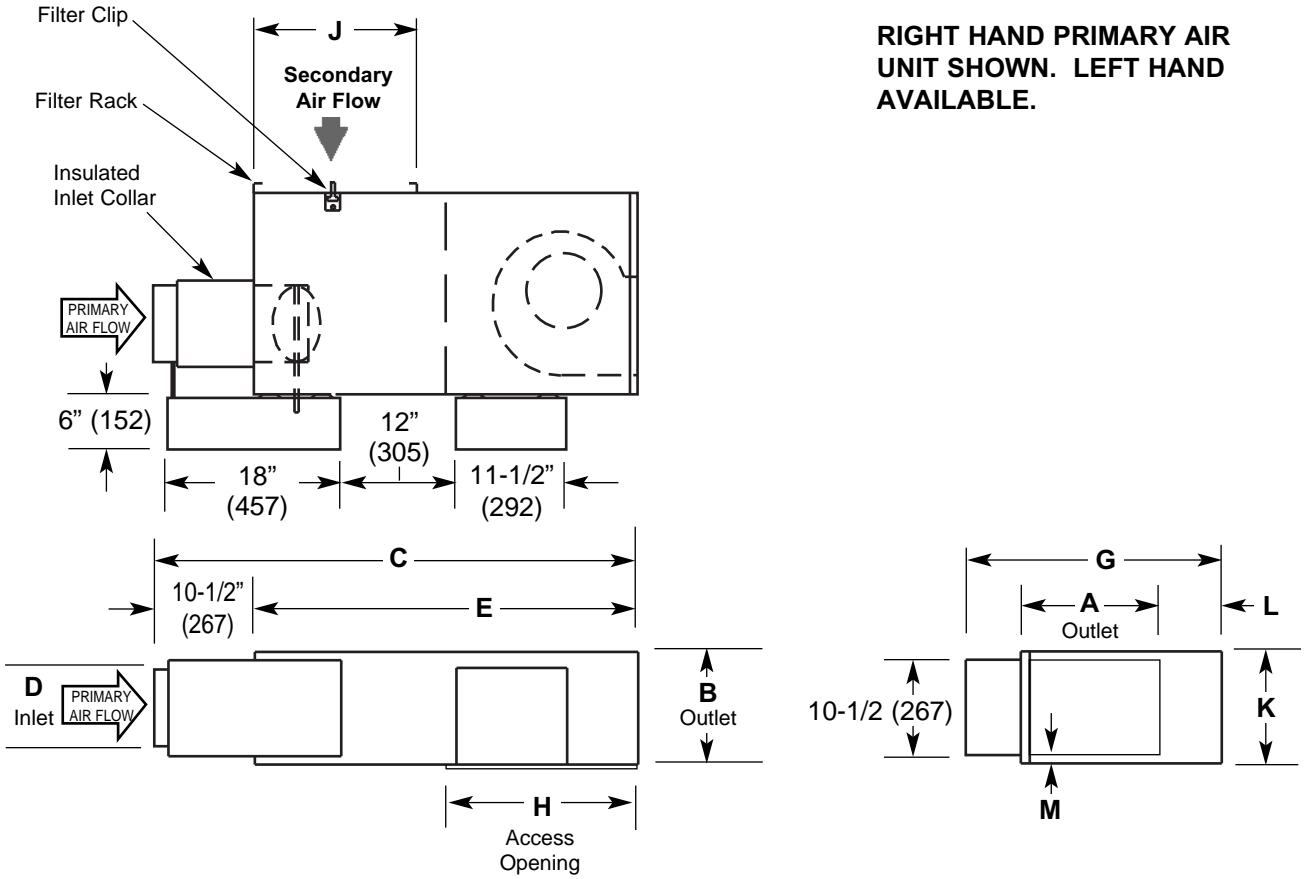
▼ **Electronic Thermostat**



A Carnes Electronic Thermostat **must be ordered** with the ET Electronic Control Option.

- CONTROLS AND DAMPER ARRANGEMENT**
- *1 - Normally Open - Right Hand Controls (Electronic/DO, DE, ET)
 (All Pneumatic Control Types for Reverse Acting Thermostat)
 - *2 - Normally Open - Left Hand Controls (Electronic/DO, DE, ET)
 (All Pneumatic Control Types for Reverse Acting Thermostat)
 - 3 - Normally Closed - Right Hand Controls (All Pneumatic Control Types for Direct Acting Thermostat)
 - 4 - Normally Closed - Left Hand Controls (All Pneumatic Control Types for Direct Acting Thermostat)
 - 5 - Normally Open - Right Hand Controls (All Pneumatic Control Types for Direct Acting Thermostat)
 - 6 - Normally Open - Left Hand Controls (All Pneumatic Control Types for Direct Acting Thermostat)
 - 7 - Normally Closed - Right Hand Controls (All Pneumatic Control Types for Reverse Acting Thermostat)
 - 8 - Normally Closed - Left Hand Controls (All Pneumatic Control Types for Reverse Acting Thermostat)

* Electronic and DDC Units **DO NOT** fail open. '1' or '2' is used for Right or Left Hand Only. Electric/Electronic Units are shipped with the Damper in the Open Position.



DIMENSIONS LISTED IN INCHES (Millimeters)

Unit Size	Fan Size	Inlet Size	Primary CFM (L/s)	Secondary CFM (L/s) @ .25 E.S.P.	Fan H.P.	Outlet		C	Inlet		E	G	H	J	K	L	M
						A	B		D	E							
L1	A	05	350 (165)	295 (139)	1/6				4-7/8 (124)								
L2	B	06	500 (236)	420 (198)	1/6	9-1/2 (241)	7 (178)	50-1/2 (1283)	5-7/8 (149)	40 (1016)	27 (685)	19-1/4 (489)	16 (406)	10-1/2 (267)	9 (229)	1-1/4 (32)	
L3	C	07	700 (330)	680 (321)	1/6				6-7/8 (175)								
L4	D	08	1000 (472)	1000 (472)	1/4	10 (254)	7 (178)		7-7/8 (200)						9-1/4 (235)		
L5	E	10	1500 (708)	1500 (708)	1/2	11 (279)	8-1/4 (210)	50-1/2 (1283)	9-7/8 (251)	40 (1016)	27 (685)	19-1/4 (489)	17 (432)	12-1/2 (318)	8 (203)	--	

NOTE: Outlet dimensions refer to the actual opening.