

- CONTROL TYPE**
- CA - Pneumatic Actuator with Mechanical Max./Min. Stops by Carnes
 - CM - Pneumatic Actuator by Carnes
 - CE - Pneumatic Actuator by Carnes, Reset Controller by Carnes
 - CX - Pneumatic Actuator by Carnes (Multi-function) Reset Controller by Carnes
 - ER - Electric Actuator with Reheat Switch by Carnes (Enclosure Included)
 - EK - Electric Actuator with (2) Reheat Switches by Carnes (Enclosure Included)
 - ET - Analog Electronic Velocity Controller with Integral Damper Actuator (Enclosure Included)
 - DO - DDC Provided by Others, Mounted and Wired by Carnes, w/Carnes Inlet Sensor w/ 3/8" Damper Shaft, w/Enclosure
 - DE - DDC Enclosure with Carnes Inlet Sensor, w/Bare 3/8" Damper Shaft
 - MA - Manual Damper by Carnes
 - NS - No Damper Controls, w/Carnes Inlet Sensor, w/bare 3/8" Damper Shaft (No Enclosure)

- ACTUATOR VENDOR**
- C - Carnes (Pneu. or Elec.)
 - D - DDC Actuator (DO Option Only)
 - N - Not Applicable (NS, DE Option Only)

- CONTROLS, DAMPERS AND COIL ARRANGEMENTS**
- *1 - Normally Open - Right Hand Controls (All Electric/Electronic/Manual Control Types/DO, DE, NS) (All Pneumatic Control Types for Reverse Acting Thermostat)
 - *2 - Normally Open - Left Hand Controls (All Electric/Electronic/Manual Control Types/DO, DE, NS) (All Pneumatic Control Types for Reverse Acting Thermostat)
 - 3 - Normally Closed - Right Hand Controls (All Pneumatic Control Types for Direct Acting Thermostat)
 - 4 - Normally Closed - Left Hand Controls (All Pneumatic Control Types for Direct Acting Thermostat)
 - 5 - Normally Open - Right Hand Controls (All Pneumatic Control Types for Direct Acting Thermostat)
 - 6 - Normally Open - Left Hand Controls (All Pneumatic Control Types for Direct Acting Thermostat)
 - 7 - Normally Closed - Right Hand Controls (All Pneumatic Control Types for Reverse Acting Thermostat)
 - 8 - Normally Closed - Left Hand Controls (All Pneumatic Control Types for Reverse Acting Thermostat)

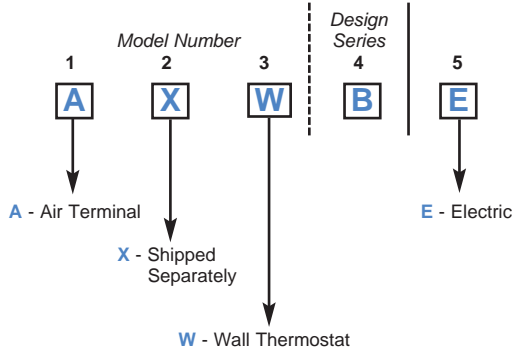
OPTIONS: (Must be ordered in position shown below, default is standard and applies if no entry is made)

- H - Hanger Bracket
- P - Access Panel
- X - Tri-Averaging Flow Sensor
- W - Control Enclosure w/ Tri-Averaging Flow Sensor
- B - 1/2" Foil Coated Insulation
- Y - 1/2" Standard Insulation
- C - Closed Cell Liner
- D - Dual Wall Construction (Not for size 18/24)
- G - 1" Glass Fiber Insulation
- F - 1" Foil Coated Insulation
- K - 1" Internal Rigid Insulation (Not for size 18/24)
- H - 1" External Rigid Insulation (Not for size 18/24)
- P - Dual Wall, Perforated Liner (Not for size 18/24)
- N - No Insulation

* Electric, Electronic and DDC Units **DO NOT** fail open. '1' or '2' is used for Right or Left Hand Only. Electric/Electronic Units are shipped with the Damper in the Open Position.

NOTE: Hand of controls is determined by facing the averaging flow sensor (inlet of the unit) with the supply air hitting the back of your head.

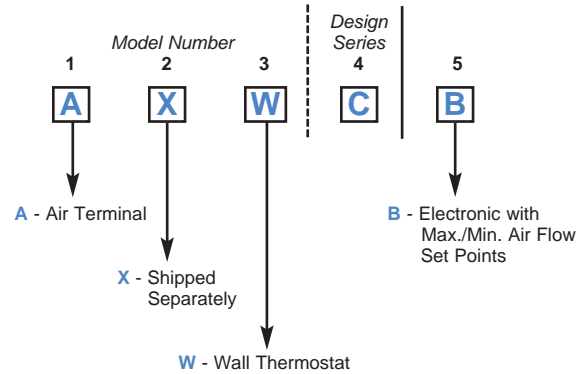
▼ Electric Thermostat



A Carnes Electric Thermostat **must be ordered** with the Electric ER and EK Control Options.

Power Transformers are included with the Electric Heater.

▼ Electronic Thermostat



A Carnes Electronic Thermostat **must be ordered** with the ET Electronic Control Option.