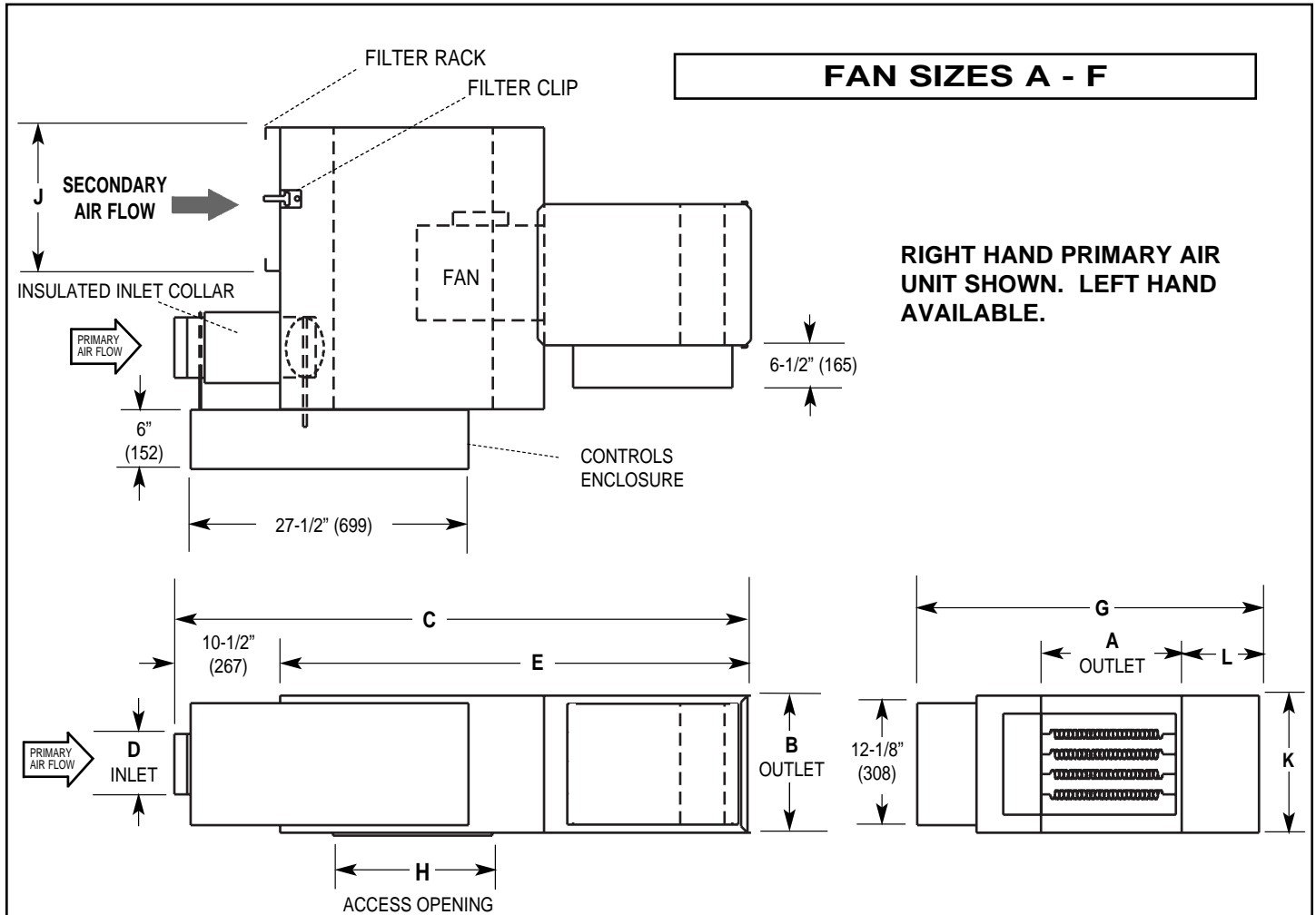


**Imperial [IP] Dimensions**  
**Metric (SI) in Parentheses**

CARNES COMPANY, 448 S. Main St., P. O. Box 930040, Verona, WI 53593-0040 Phone (608) 845.6411 Fax: (608) 845.6470 carnes@carnes.com



**DIMENSIONS LISTED IN INCHES (Millimeters)**

Fan Size	Inlet Size	Primary CFM (L/s)	Sec. CFM @ .25" E.S.P. (L/s)	Fan H.P.	Outlet			Inlet		E	G	H	J	K	L
					A	B	C	D	E						
A	05	300 (142)	300 (142)	1/6				4-7/8 (124)							
B	06	430 (203)	430 (203)	1/6	14 (356)	14 (356)	63-3/4 (1619)	5-7/8 (149)	53-1/4 (1353)	29 (737)	20 (508)	12 (305)	14 (356)	4-1/2 (114)	
C	07	630 (297)	630 (297)	1/6				6-7/8 (175)							
D	08	995 (470)	995 (470)	1/4				7-7/8 (200)							
E	10	1550 (732)	1550 (732)	1/4	16 (406)	17-1/2 (445)	63-3/4 (1619)	9-7/8 (251)	53-1/4 (1353)	40-1/2 (1029)	20 (508)	19-1/4 (489)	17-1/2 (445)	*13-1/2 (343)	
F	12	2050 (968)	2050 (968)	1/2				11-7/8 (302)							

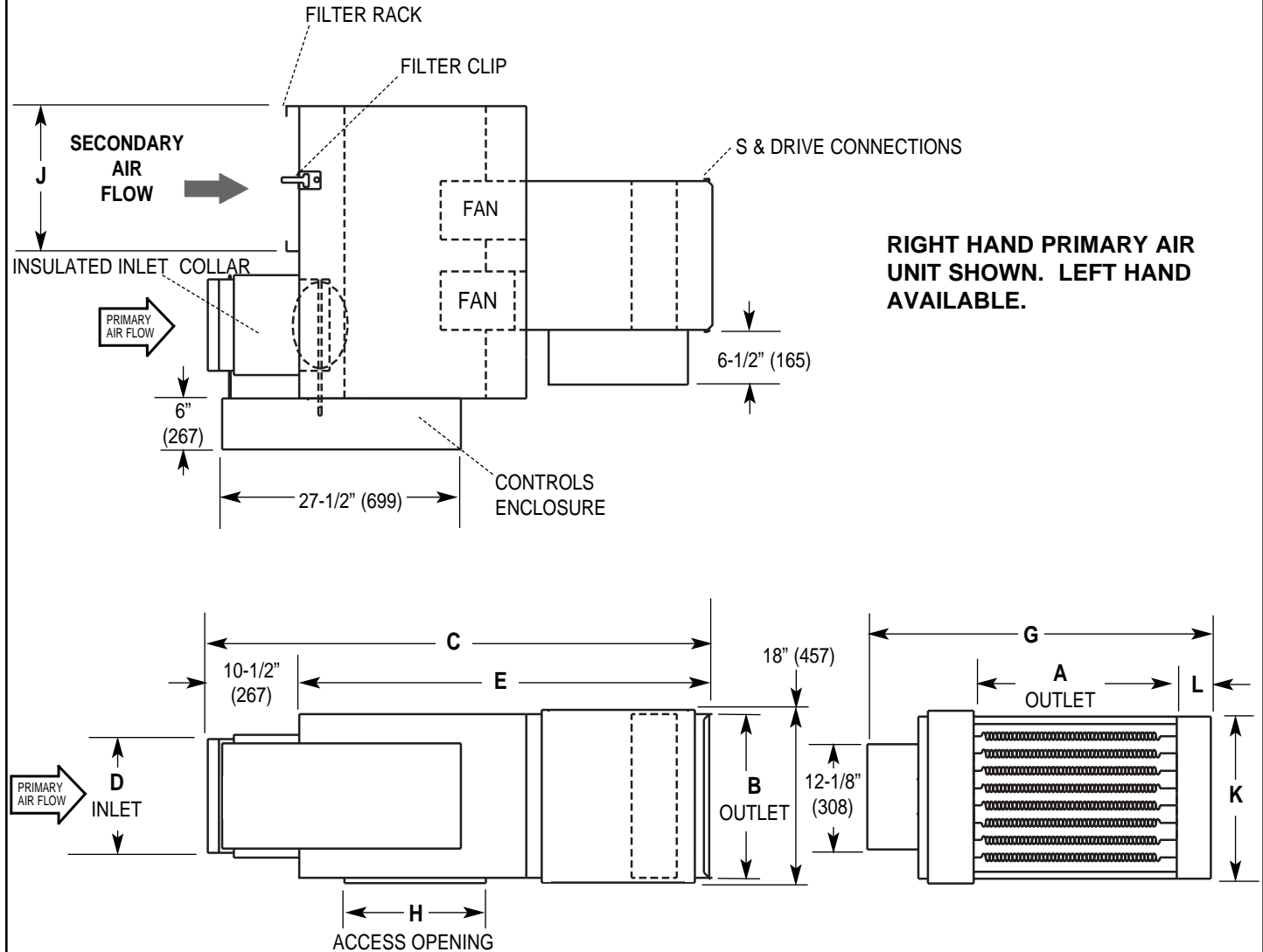
Note: Outlet is designed for slip and drive duct connection.

\*Left hand dimension is 4-7/8 (124).

**Imperial [IP] Dimensions**  
**Metric (SI) in Parentheses**

CARNES COMPANY, 448 S. Main St., P. O. Box 930040, Verona, WI 53593-0040 Phone (608) 845.6411 Fax: (608) 845.6470 carnes@carnes.com

### FAN SIZES G and H



#### DIMENSIONS LISTED IN INCHES (Millimeters)

Fan Size	Inlet Size	Primary Nomnal CFM (L/s)	Sec. Nom. CFM @ .25" E.S.P. (L/s)	Fan H.P.	Outlet		Inlet		E	G	H	J	K	L
					A	B	C	D						
G	14	3150 (1487)	3150 (1487)	1/2 (2)	32	17-1/2	63-1/4	13-7/8	53-1/4	56	17-3/4	28-1/4	17-1/2	9
H	16	3700 (1746)	3700 (1746)	1/2 (2)	(813)	(445)	(1607)	15-7/8	(1353)	(1422)	(451)	(718)	(445)	(229)

**Note:** Outlet is designed for slip and drive duct connection.