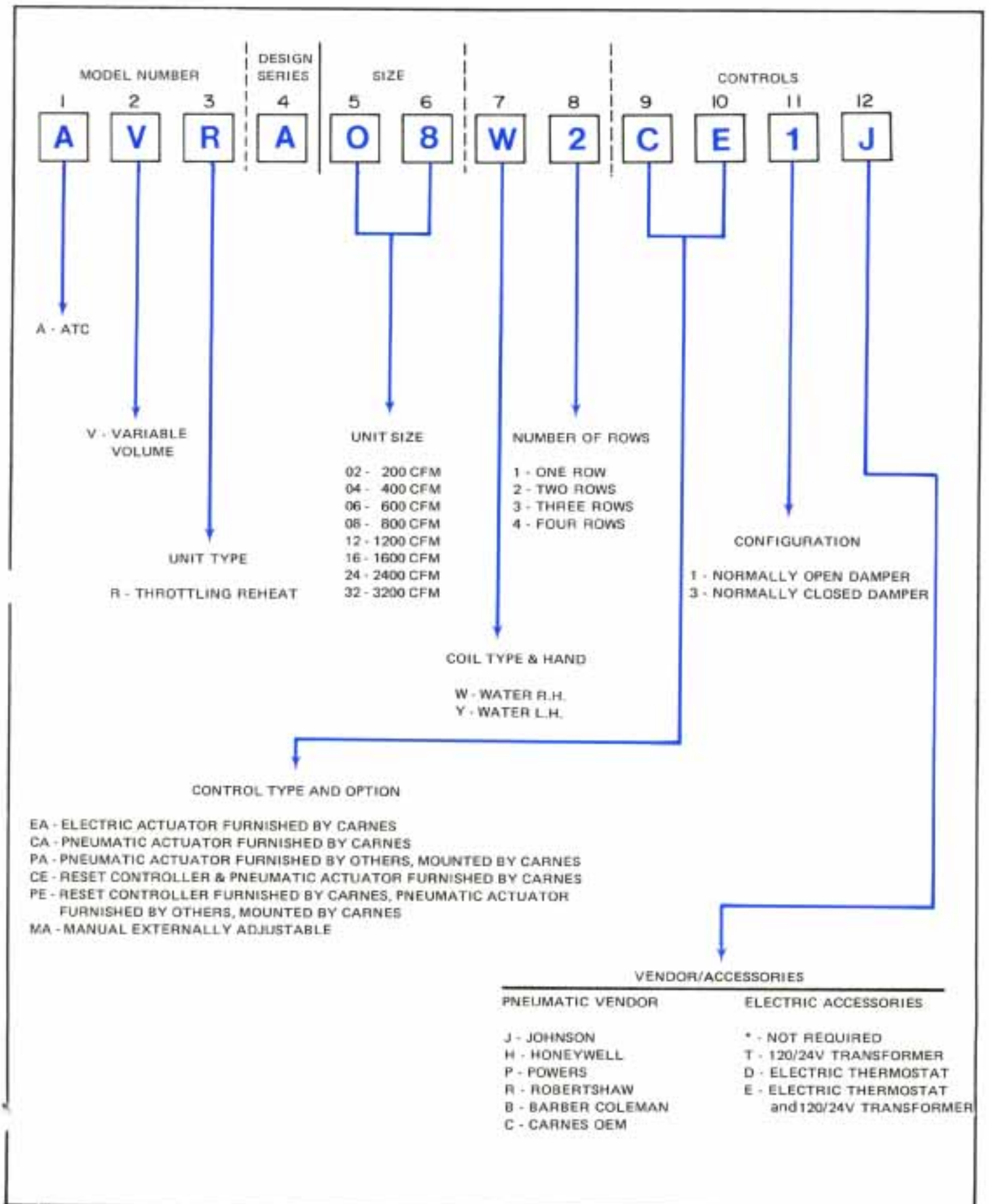


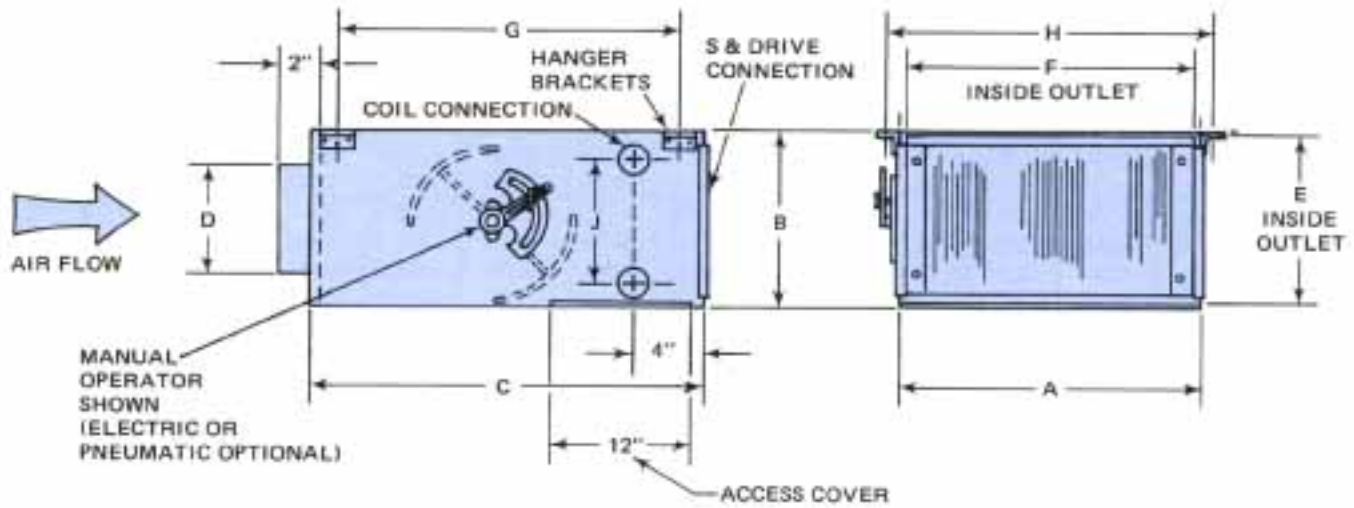
# Model Numbering System



## Dimensional Data

### Terminal Units

Model AVRA – Throttling Reheat



Size	CFM	A (Inches)	B (Inches)	C (Inches)	D (Inches)	S & Drive Outlet		G (Inches)	H (Inches)	Weight Lbs.
						E (Inches)	F (Inches)			
02	200	13	8	23-3/4	5	8	13	20	14	22
04	400	13	8	23-3/4	6	8	13	20	14	22
06	600	14	10	23-3/4	7	10	14	20	15	24
08	800	17	10	23-3/4	8	10	17	20	18	28
12	1200	20	12	27	10	12	20	23-1/4	21	36
16	1600	22	14	29	12	14	22	25-1/4	23	46
24	2400	26	16	31	14	16	26	27-1/4	27	64
32	3200	32	18	43	16	18	32	39-1/4	33	88

Size	CFM	J (Inches)	PIPE SIZE CONNECTIONS			
			1 - Row (Inches)	2 - Row (Inches)	3 - Row (Inches)	4 - Row (Inches)
02	200	5-1/4	1/2	1/2	3/4	3/4
04	400	5-1/4	1/2	1/2	3/4	3/4
06	600	6-3/4	1/2	1/2	3/4	3/4
08	800	6-3/4	1/2	1/2	3/4	3/4
12	1200	8-1/4	1/2	1/2	3/4	3/4
16	1600	11-1/4	1/2	1/2	3/4	3/4
24	2400	12-3/4	1/2	1/2	3/4	3/4
32	3200	14-1/4	1/2	1/2	3/4	3/4

Size	COIL WEIGHT LBS.			
	1 - Row	2 - Row	3 - Row	4 - Row
02	2-1/2	3-1/2	4-3/4	6
04	2-1/2	3-1/2	4-3/4	6
06	2-1/2	4-1/4	6	7-1/2
08	2-3/4	4-3/4	6-1/2	8-1/2
12	4	6-1/2	9	11-1/2
16	5	8-1/2	11-3/4	15
24	6-1/2	11	15-1/2	20
32	8-1/2	14	19-1/2	25

- NOTES:**
1. PIPE CONNECTION IS FEMALE NPT.
  2. COIL CONNECTIONS EITHER RIGHT HAND OR LEFT HAND. RIGHT HAND SHOWN.
  3. COIL CONNECTION CAN BE FIELD REVERSED.