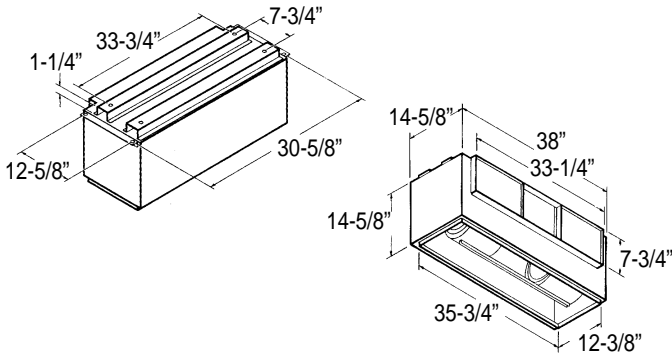
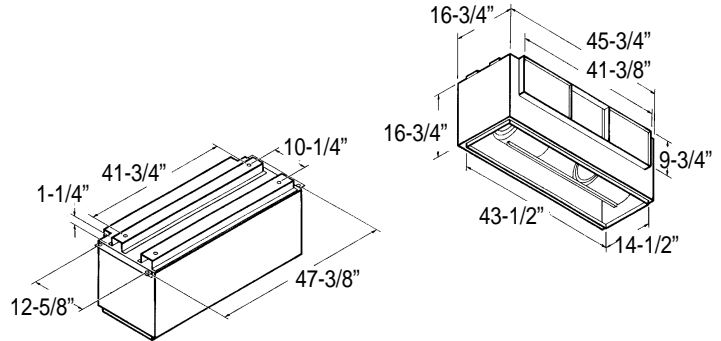


CARNES COMPANY, 448 S. Main St., P. O. Box 930040, Verona, WI. 53593-0040 Phone: 608/845-6411 Fax: 608/845-6470 E-Mail: carnes@carnes.com www.carnes.com

VCDD 210I



VCDD 330I

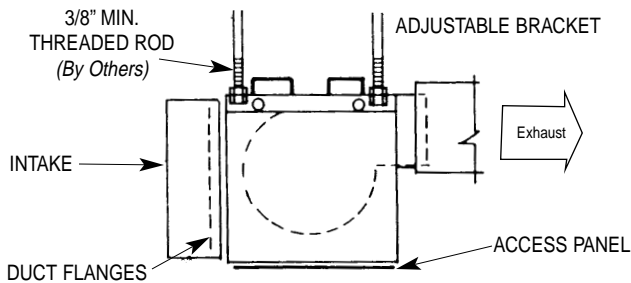


STANDARD CONSTRUCTION

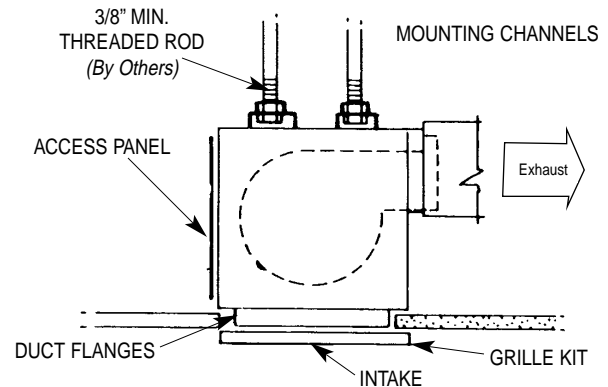
- Lifetime lubricated thermally protected motors.
- Twin double-inlet blower wheels.
- Durable heavy-gauge galvanized steel housing.
- Pre-wired plug disconnect. Field wiring to internal junction box.
- In-Line (Straight-thru) Configuration.

OPTIONAL FEATURES

- Grille kits (allows for ceiling fan or right angle configuration).
- Discharge damper kits.



IN-LINE APPLICATIONS



**CONVERTED FOR RIGHT-ANGLE
DISCHARGE CEILING VENTILATOR**

FAN NO. LOCATION	QTY	MODEL/SIZE	CFM	SP	FAN RPM	SONES	MOTOR			ACCESSORIES
							HP	ELECTRICAL	TYPE	

NOTES

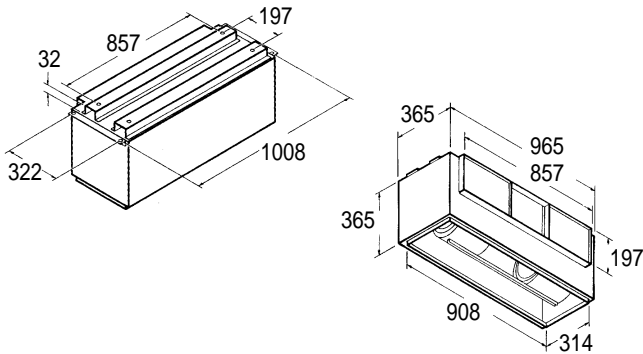
PROJECT: _____ ARCHITECT: _____
 CONTRACTOR: _____ DATE: _____ SUBMITTED BY: _____ ENGINEER: _____

Metric (SI) Units (mm)
Imperial {IP} on Reverse Side

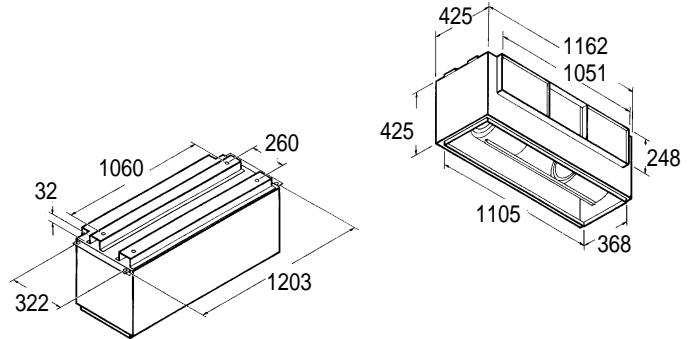


CARNES COMPANY, 448 S. Main St., P. O. Box 930040, Verona, WI. 53593-0040 Phone: 608/845-6411 Fax: 608/845-6470 E-Mail: carnes@carnes.com www.carnes.com

VCDD 210I



VCDD 330I

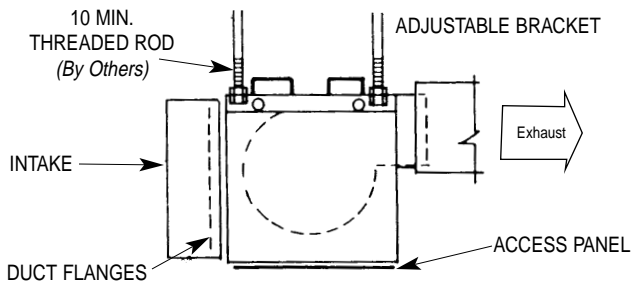


STANDARD CONSTRUCTION

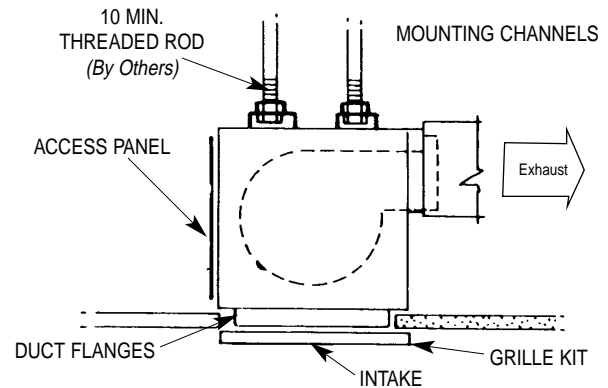
- Lifetime lubricated thermally protected motors.
- Twin double-inlet blower wheels.
- Durable heavy-gauge galvanized steel housing.
- Pre-wired plug disconnect. Field wiring to internal junction box.
- In-Line (Straight-thru) Configuration.

OPTIONAL FEATURES

- Grille kits (allows for ceiling fan or right angle configuration).
- Discharge damper kits.



IN-LINE APPLICATIONS



**CONVERTED FOR RIGHT-ANGLE
 DISCHARGE CEILING VENTILATOR**

FAN NO. LOCATION	QTY	MODEL/SIZE	CFM	SP	FAN RPM	SONES	MOTOR			ACCESSORIES
							HP	ELECTRICAL	TYPE	

NOTES

PROJECT: _____ ARCHITECT: _____
 CONTRACTOR: _____ DATE: _____ SUBMITTED BY: _____ ENGINEER: _____