

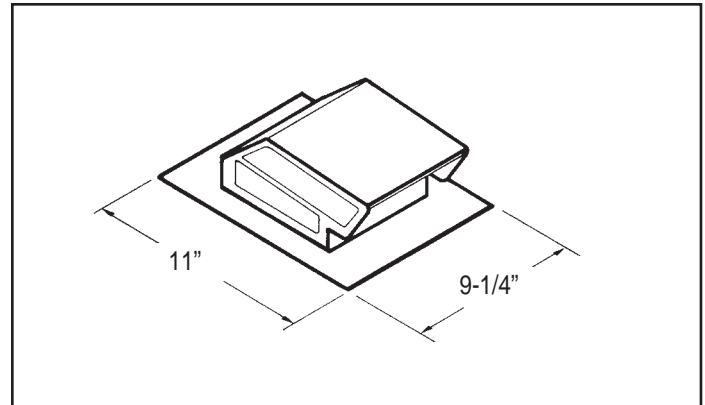
**IP [English] Dimensions**  
*Listed In Inches*

CARNES COMPANY, 448 S. Main St., P. O. Box 930040, Verona, WI. 53593-0040 Phone: 608/845-6411 Fax: 608/845-6470 carnes@carnes.com www.carnes.com

#### MODEL VXCBR — ROOF JACKS

##### MODEL VXCBRL

- Steel black electrically bonded epoxy finish.
- Built-in backdraft damper and birdscreen.
- For 3" or 4" round duct.
- For use with VCDD 005 - 008.

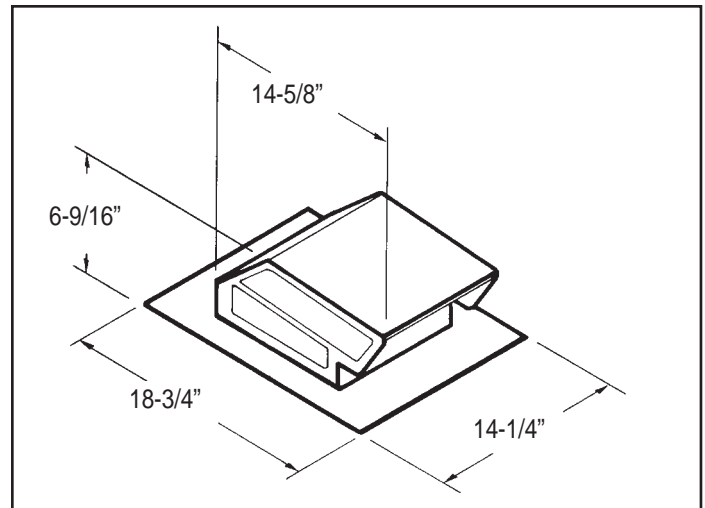


##### MODEL VXCBRK

- Steel black electrically bonded epoxy finish.
- Built-in backdraft damper and birdscreen.
- For 6" round duct.
- For use with VCDD 010 - 015.

##### MODEL VXCBRM

- Steel black electrically bonded epoxy finish.
- Built-in backdraft damper and birdscreen.
- For 3-1/4" X 10" or up to 8" round duct.
- For use with VCDD 020 - 030.



##### MODEL VXCBRD

- Steel black electrically bonded epoxy finish.
- Built-in backdraft damper and birdscreen.
- High capacity design - up to 1200 CFM.
- For 10-3/4" x 10-3/4" or up to 10" round duct.
- For use with VCDD 040 - 090.

