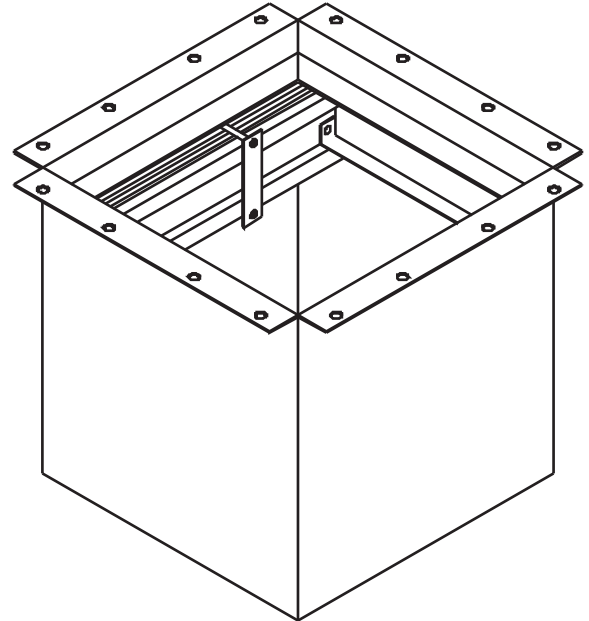
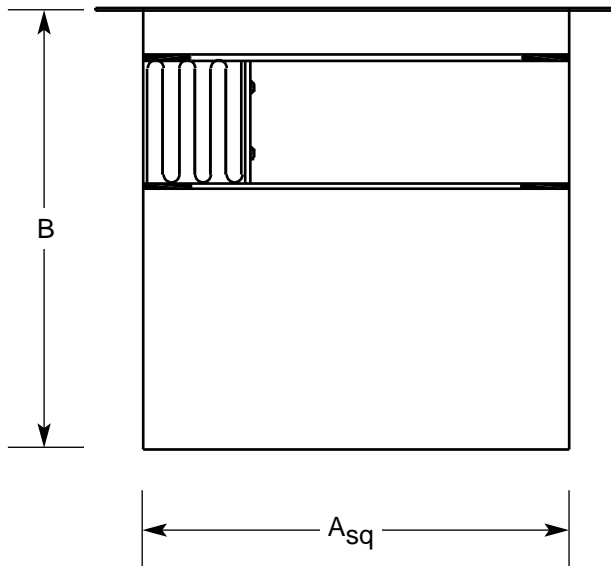


Imperial [IP] Dimensions
Metric (SI) in Parentheses

CARNES COMPANY 448 S. Main St., P. O. Box 930040, Verona, WI 53593-0040 Phone: (608)845-6411 Fax: (608)845-6504 www.carnes.com



Model	A	B	For Use With
VXCBQG	6-11/16" (170)	7" (178)	VCDK 005
VXCBQH	9-1/16" (230)	7" (178)	VCDK 008/009
VXCBQJ	10-1/4" (261)	7" (178)	VCDK 010/015

APPLICATION

UL Fire Rated Floor/Ceiling Assemblies and Roof/Ceiling Assemblies require specially tested and classified Ceiling Dampers (also called Ceiling Fire Dampers or Radiation Dampers) to provide fire and heat protection where HVAC components penetrate the ceiling membrane. Standard, 1-1/2 and 3 hr. primary fire dampers DO NOT provide the necessary protection.

Carnes models VXCBQG, VXCBQH, and VXCBQJ are UL Classified to provide protection of ceiling openings in fire rated floor/ceiling assemblies with fire resistance ratings of 3 hours or less.

STANDARD CONSTRUCTION

Frame
20 gauge galvanized steel.

Blade
22 gauge galvanized steel and non-asbestos insulation.

Fusible Link
165° F (74°C) is standard.

UL CLASSIFIED
UL555C Listing R8039