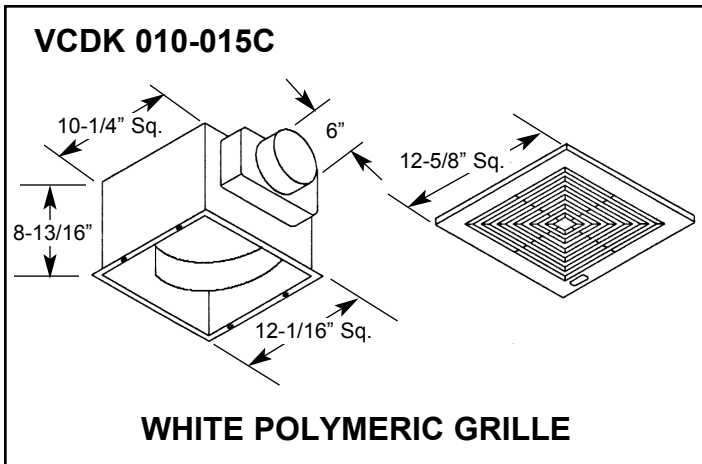
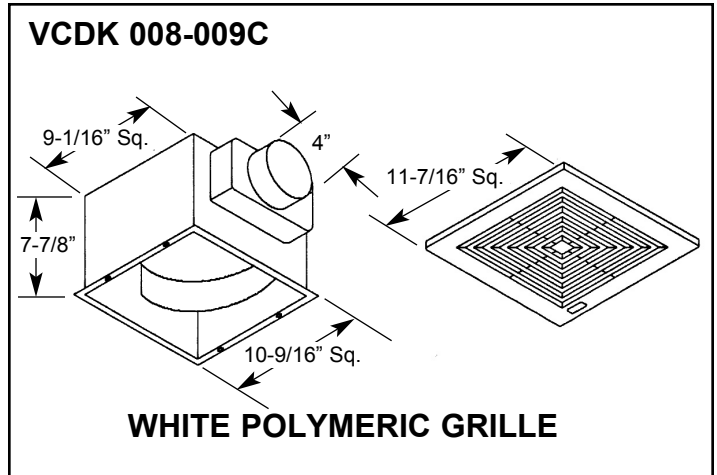
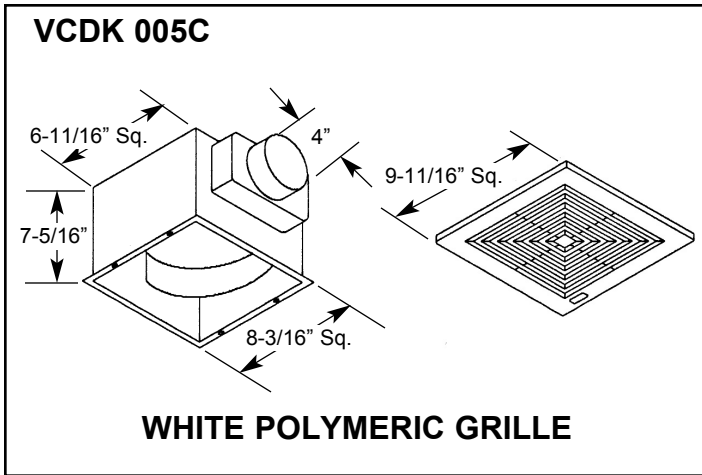


**IP [English] Dimensions**  
**SI (Metric) on Reverse Side**



## SUBMITTAL SHEET MODELS VCDK-C CEILING FANS

CARNES COMPANY, 448 S. Main St., P. O. Box 930040, Verona, WI. 53593-0040 Phone: 608/845-6411 Fax: 608/845-6470 E-Mail: carnes@carnes.com www.carnes.com



- SUPER QUIET OPERATION
- HIGH PERFORMANCE BLOWERS
- DISCHARGE DAMPER
- SIMPLIFIED INSTALLATION
- DESIGNER STYLED GRILLES
- UL LISTED
- AMCA AIR & SOUND LICENSED

FAN NO. LOCATION	QTY	MODEL/SIZE	CFM	SP	FAN RPM	SONES	MOTOR			ACCESSORIES
							HP	ELECTRICAL	TYPE	

**NOTES**

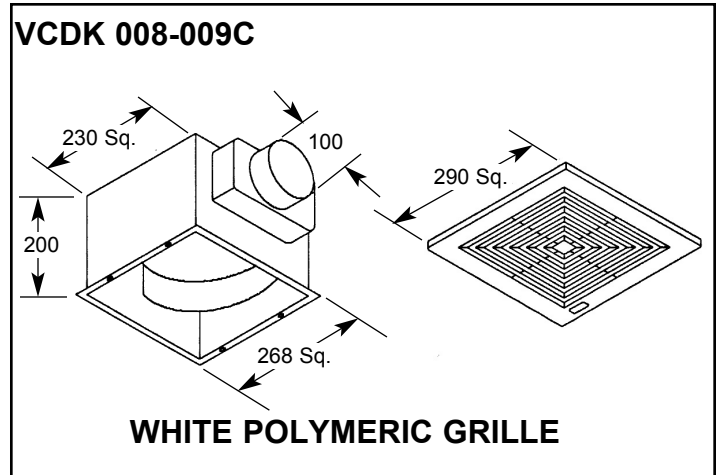
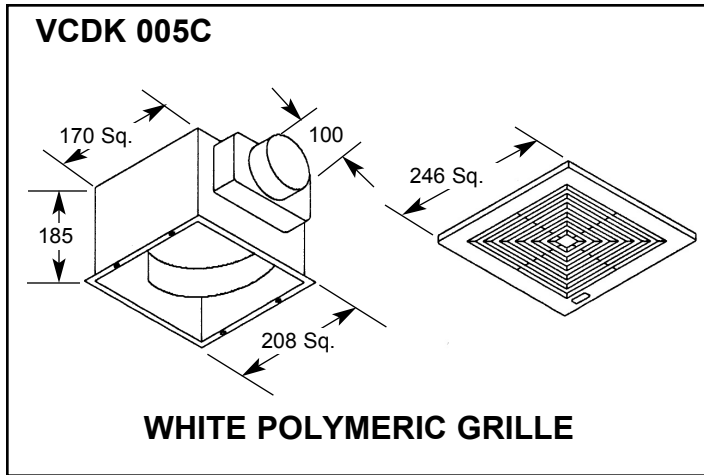
PROJECT:			ARCHITECT:		
CONTRACTOR:		DATE:	SUBMITTED BY:		ENGINEER:

**SI (Metric) Dimensions\***  
**IP [Imperial] on Reverse Side**

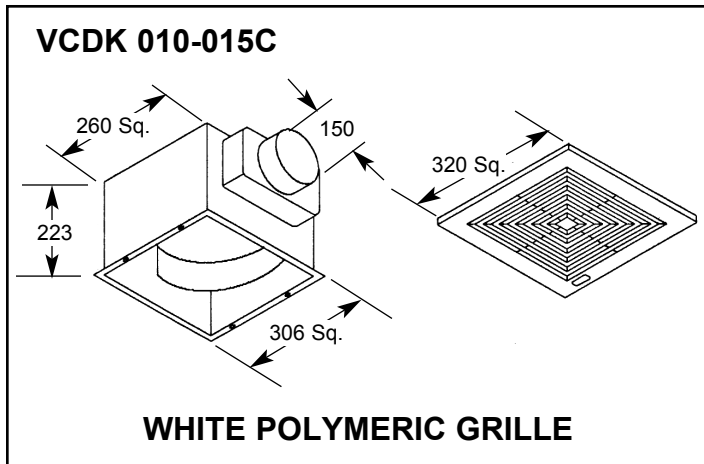


## SUBMITTAL SHEET MODELS VCDK-C CEILING FANS

CARNES COMPANY, 448 S. Main St., P. O. Box 930040, Verona, WI. 53593-0040 Phone: 608/845-6411 Fax: 608/845-6470 E-Mail: carnes@carnes.com www.carnes.com



\*Dimensions in millimeters



- SUPER QUIET OPERATION
- HIGH PERFORMANCE BLOWERS
- DISCHARGE DAMPER
- SIMPLIFIED INSTALLATION
- DESIGNER STYLED GRILLES
- UL LISTED
- AMCA AIR & SOUND LICENSED

FAN NO. LOCATION	QTY	MODEL/SIZE	CFM	SP	FAN RPM	SONES	MOTOR			ACCESSORIES
							HP	ELECTRICAL	TYPE	

**NOTES**

PROJECT:			ARCHITECT:		
CONTRACTOR:		DATE:	SUBMITTED BY:		ENGINEER: