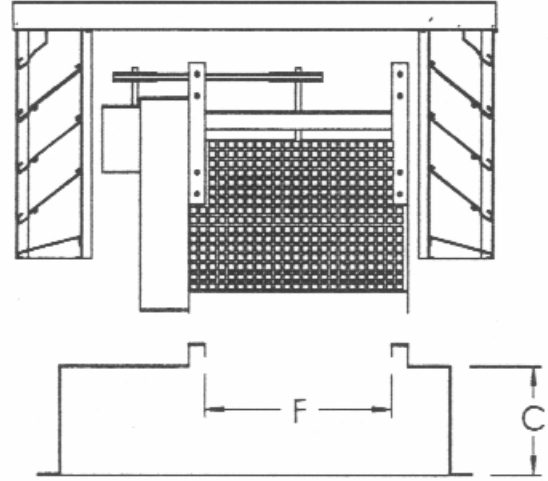
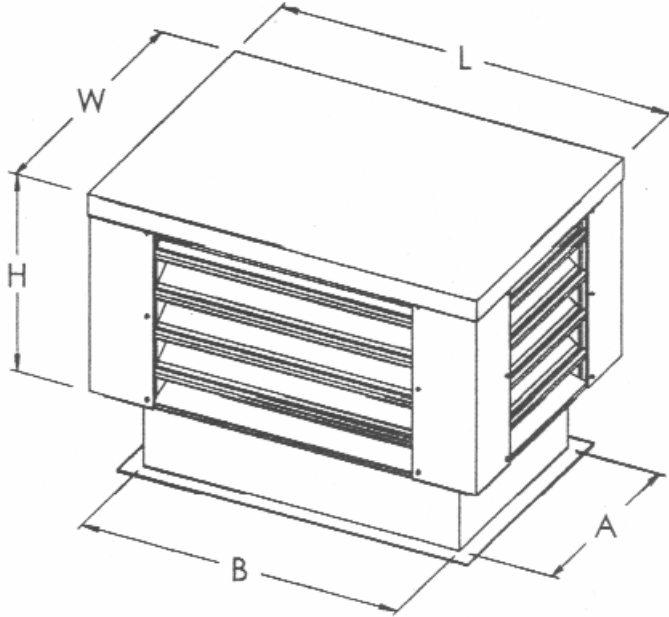


**Imperial [IP] Dimensions
Listed in Inches**

CARNES COMPANY 448 S. Main St., P. O. Box 930040, Verona, WI 53593-0040 Phone: (608)845-6411 Fax: (608)845-6504 www.carnes.com



STANDARD FEATURES:

- Louver Frame: Heavy gauge 6" x .125" thick 6063T5 extruded aluminum.
- Louver Blade: Drainable design .125" thick 6063T5 extruded aluminum, mechanically fastened and welded to jambs on the back side of blade, set on 38° angles. (Bottom blade opening varies.)
- Roof: .080 formed aluminum.
- Birdscreen: Standard .0516 x 3/4" flattened expanded aluminum.

Unit Size	Dimensions			Curb OD			Curb Throat
	W	L	H	A	B	C	F
6	36	41	23	27.25	32.25	C	11.25
8	36	41	23	27.25	32.25	C	11.25
10	36	44	23	27.25	35.25	C	13.38
12	36	44	23	27.25	35.25	C	13.38
15	36	48	26	27.25	39.25	C	16.25
18	47	52	29	38.25	43.25	C	20.75
21	50	61	30	41.25	52.25	C	23.88
24	53	65	34	44.25	56.25	C	26.88
30	61	77	38	52.25	68.25	C	35.88
36	67	84	39	58.25	75.25	C	41.88
42	75	92	43	66.25	83.25	C	49.88
48	79	96	46	70.25	87.25	C	53.88
54	85	102	52	76.25	93.25	C	59.88

OPTIONS:

- Insect Screen
- Mill Finish (Standard)
- Enamel Finish
- Kynar Finish*
- Powder Coated
- Filters
- Hinged Roof
- Roof Condensation Coating
- Insulated Roof Hood
- Internal Access Ladder

*Kynar finish available in limited sizes. Consult factory for availability.

Miami-Dade County, FL
NOA No: 04-1209.01
Expiration Date: March 17, 2010