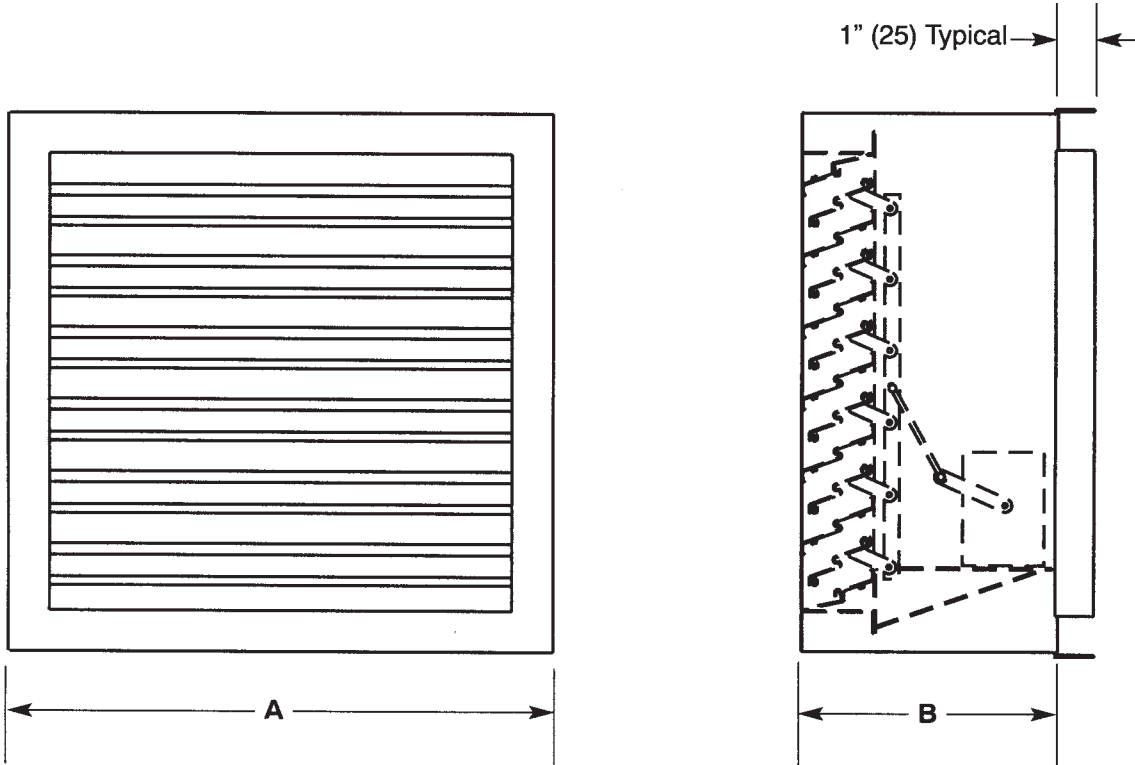


Imperial [IP] Dimensions
Metric (SI) in Parentheses

CARNES COMPANY 448 S. Main St., P. O. Box 930040, Verona, WI 53593-0040 Phone: (608)845-6411 Fax: (608)845-6504 www.carnes.com



WALLBOX EXTENSION:

FINISHES:

Mill Finish is standard.

OPTIONAL FINISHES:

- Air Dry Enamel to match.
- Acid Resistant coating (ARC, Epoxy).
- Air Dry Heresite.
- Gray Electrocoat.

LOUVER:

FINISHES:

Mill Finish is standard.

OPTIONAL FINISHES:

- Baked Enamel.
- Kynar.
- Clear Anodized.
- Dark Bronze Anodized.

Unit	DIMENSIONS										
	10	12	16	18	20	24	30	36	42	48	54
A	16-1/4"	16-1/4"	20-1/4"	24-1/4"	24-1/4"	30-1/4"	36-1/4"	42-1/4"	48-1/4"	54-1/4"	60-1/4"
Sq.	(413)	(413)	(514)	(616)	(616)	(768)	(920)	(1073)	(1225)	(1377)	(1530)
B	14"	14"	14"	14"	14"	14"	14"	14"	14"	14"	14"
	(356)	(356)	(356)	(356)	(356)	(356)	(356)	(356)	(356)	(356)	(356)
Gauge	18	18	18	18	18	18	18	18	18	18	18
	Galv.	Galv.	Galv.	Galv.	Galv.	Galv.	Galv.	Galv.	Galv.	Galv.	Galv.