



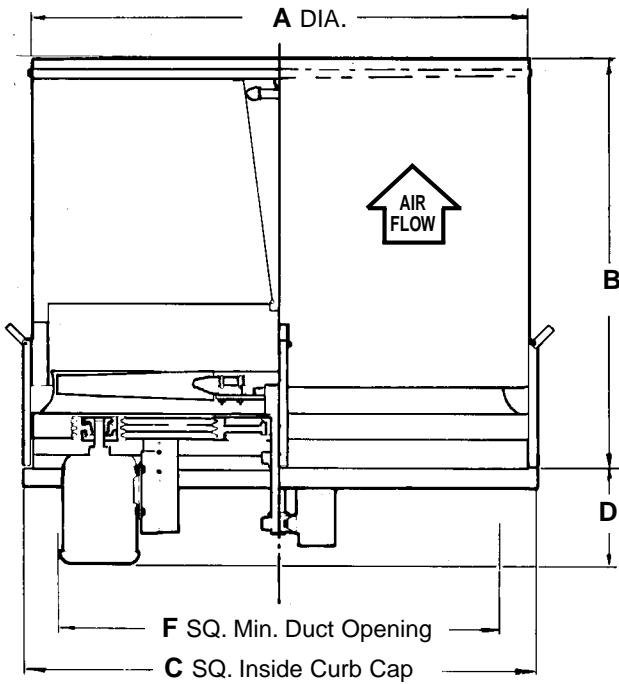
MODEL LUBA PROPELLER UPBLAST FANS: BELT DRIVE

CARNES® SUBMITTAL SHEET

COPYRIGHT © CARNES COMPANY
ALL RIGHTS RESERVED - 2002

SUPERSEDES 26020-C

26020-D



INCLUDES:

- DAMPER DOORS
- RAIN CHANNEL
- LIFTING POINTS
- INTERNAL BRACING
- V-BELT DRIVES

ABBREVIATIONS:

- Motor Type — OP = OPEN
TE = TOTALLY ENCLOSED
XP = EXPLOSION PROOF
2S = TWO SPEEDS

ACCESSORIES:

- LXFAG - GALVANIZED CURB
LXFAA - ALUMINUM CURB
LXMAU - BASKET SAFETY GUARD

Size	A	B	C	Max. D	F	METAL GAUGES			Avg. Wt.	Curb Size
						Wind Shroud	Curb Cap	Fan Panel		
24	30	33	32	16	27	18	16	16	310	0310
30	36	36	38	17	33	18	16	16	340	0370
36	42	37	44	17	36	18	14	16	430	0430
42	48	41	50	18	42	18	14	16	490	0490
48	54	44	56	22	48	18	14	14	640	0550
54	60	47	62	22	54	18	14	14	840	0610
60	66	50	68	22	60	18	14	14	1000	0670
72	80	56	82	31	77	16	12	10	1550	0810

FAN NO. LOCATION	QTY	MODEL/SIZE	CFM	SP	FAN RPM	SONES	MOTOR			ACCESSORIES
							HP	ELECTRICAL	TYPE	

NOTES:

PROJECT				ARCHITECT			
CONTRACTOR		DATE:		SUBMITTED BY:		ENGINEER	