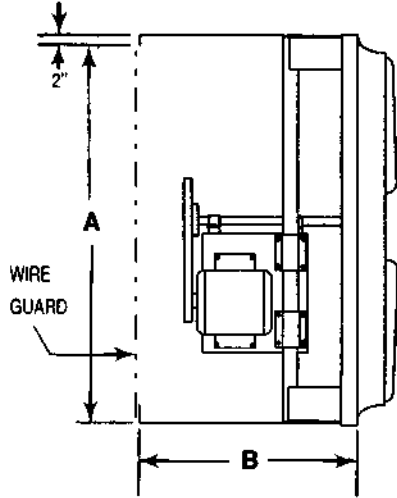


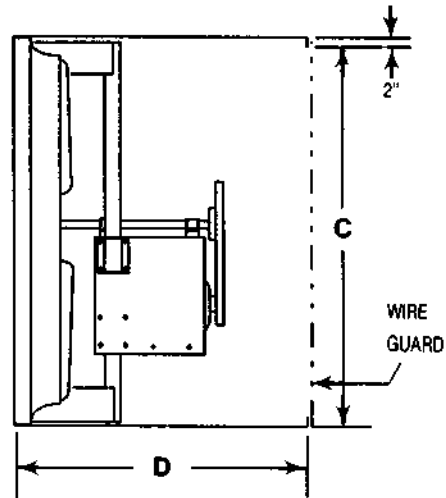
**IP [English] Dimensions  
SI (Metric) on Reverse Side**

CARNES COMPANY 448 S. Main St., P. O. Box 930040, Verona, WI 53593-0040 Phone: (608)845-6411 Fax: (608)845-6504 www.carnes.com

**EXHAUST MOTORSIDE GUARD**



**SUPPLY MOTORSIDE GUARD**



**DIMENSIONS LISTED IN INCHES**

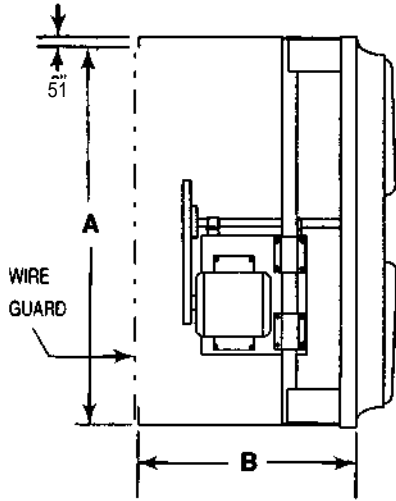
Fan Size	Type*	EXHAUST		SUPPLY		E	Gauge	Average Wgt. (Lbs.)
		A	B	C	D			
10/12	Std	16	15	16	15	2	20	20
16	Std	20	15	20	15	2	20	21
18/20	Std	24	15	24	15	2	20	25
24	Std	30	20	30	28	2	20	42
30	Std	36	20	36	29	2	20	49
	Dbl. Post		30					
36	Std	42	20	42	29	2	20	55
	Dbl. Post		30					
42	Std	48	20	48	35	2	20	63
	Dbl. Post		30					
48	Std	54	20	54	35	2	20	71
	Dbl. Post		30					
54	Std	60	20	60	35	2	18	121
	Dbl. Post		30					
60	Std	66	20	66	35	2	18	134
	Dbl. Post		30					
72	Std	80	30	80	35	2	18	154
	Dbl. Post		30					

\* Double post construction required when using 5HP 870 RPM HP motor and above.  
 Standard wire is 1/2" x 1" 16 ga. galv.  
 Heavy duty wire is 3/4" mesh 14 ga. expanded metal.

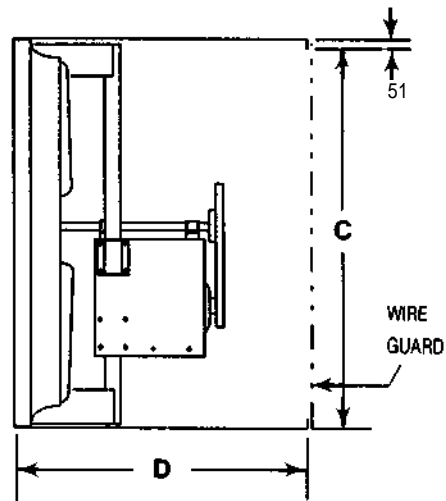
**SI (Metric) Dimensions**  
**IP [English] on Reverse Side**

CARNES COMPANY 448 S. Main St., P. O. Box 930040, Verona, WI 53593-0040 Phone: (608)845-6411 Fax: (608)845-6504 www.carnes.com

**EXHAUST MOTORSIDE GUARD**



**SUPPLY MOTORSIDE GUARD**



**DIMENSIONS LISTED IN MILLIMETERS**

Fan Size	Type*	EXHAUST		SUPPLY		E	Gauge	Average Wgt. (Kg.)
		A	B	C	D			
10/12	Std	406	381	406	381	51	20	9
16	Std	508	381	508	381	51	20	10
18/20	Std	610	381	610	381	51	20	11
24	Std	762	508	762	711	51	20	19
30	Std	914	508	914	737	51	20	22
36	Std	1067	508	1067	737	51	20	25
	Dbl. Post		762			51	20	27
42	Std	1219	508	1219	889	51	20	29
	Dbl. Post		762			51	20	32
48	Std	1372	508	1372	889	51	20	32
	Dbl. Post		762			51	20	54
54	Std	1524	508	1524	889	51	18	55
	Dbl. Post		762			51	18	60
60	Std	1676	508	1676	889	51	18	62
	Dbl. Post		762			51	18	64
72	Std	2032	762	2032	889	51	18	70
	Dbl. Post		762			51	18	77

\* Double post construction required when using 5HP 870 RPM HP motor and above.  
Standard wire is 13 x 25 16 ga. galv.  
Heavy duty wire is 19 mesh 14 ga. expanded metal.