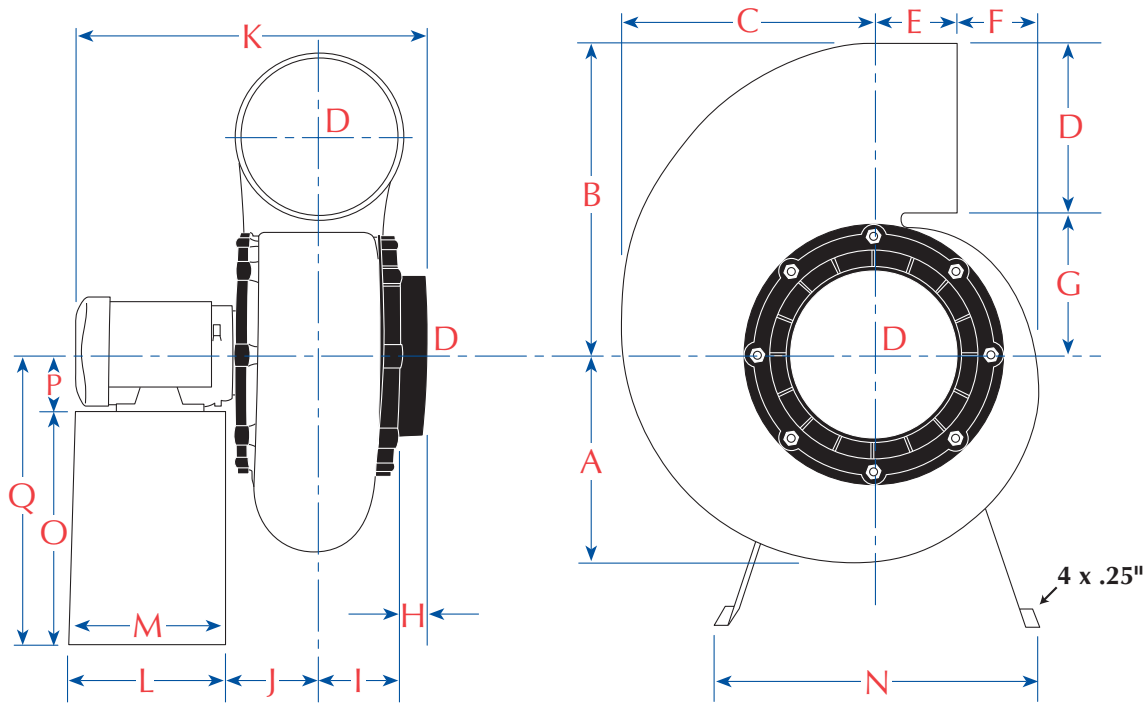


Inlet - Outlet Outside Dimensions (O/D): 12.40 Impeller Diameter: 14.37



DIMENSIONAL DATA (inches)

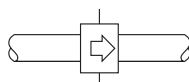
A	B	C	D	E	F	G	H	I	J	L	M	N	O
14.56	22.44	17.71	12.40	5.11	6.69	10.03	2.36	5.90	6.69	13.77	12.36	23.62	18.42

K	P	Q	BLOWER TYPE
31.54	5.25	23.67	PLA35ST4P
31.54	5.25	23.67	PLA35ST6P
28.02	5.25	23.67	PLA35ST8P

SHOWN WITH OPTIONAL ROOF UNIT KIT



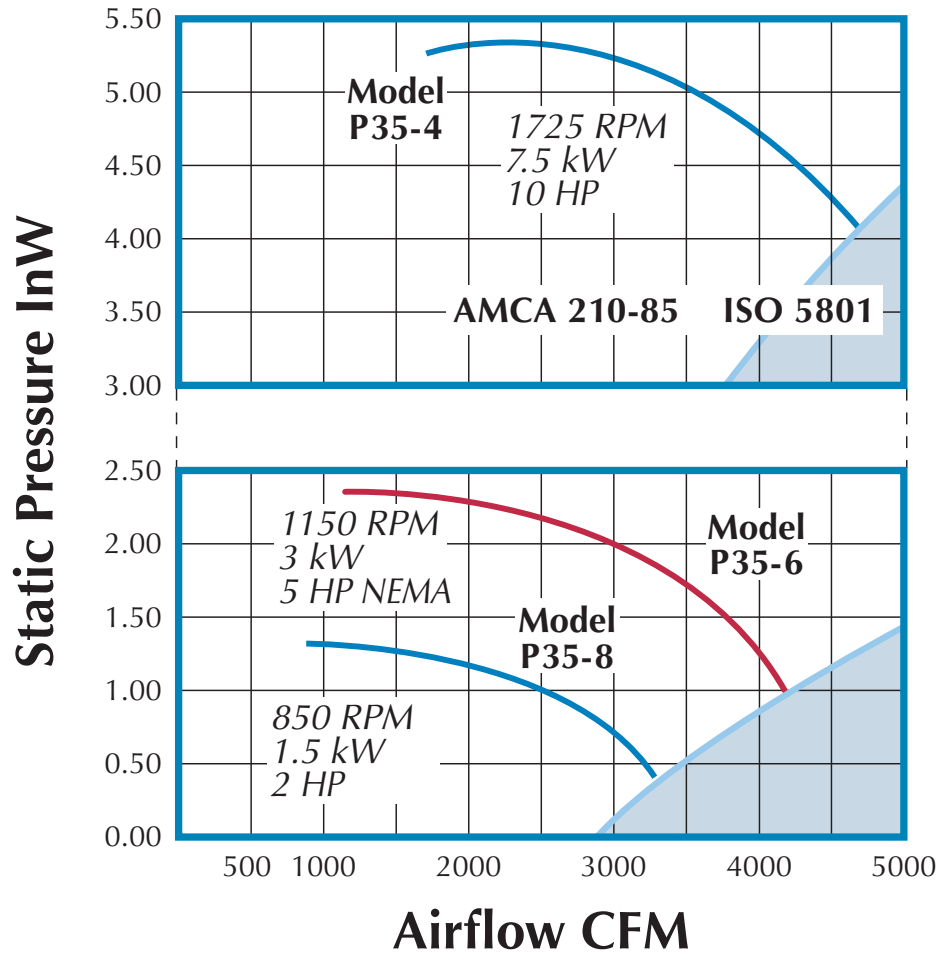
See Accessories Performance and Dimensional Data Sheets for Roof Unit Kits



Noise Level
(Ducted inlet/outlet)
Measured at 5 feet.

R.P.M.	LWA dB (A)
850	64
1150	71
1725	82

PLASTEC 35



For **Weather Protection** see accessory "Weather Hood Enclosed Pedestal" Model WH4, pictured at right. Also see Model WH5 Aluminum Weather Hood pictured at left.



ROTATION AND DISCHARGE FOR CENTRIFUGAL FANS

Standard Position



Counter-Clockwise
Up Blast
CCW 360



Counter-Clockwise
Top Angular
Up Blast
CCW 45



Counter-Clockwise
Top Horizontal
CCW 90



Counter-Clockwise
Top Angular
Down Blast
CCW 135



Counter-Clockwise
Down Blast
CCW 180



Counter-Clockwise
Bottom Angular
Down Blast
CCW 225



Counter-Clockwise
Bottom Horizontal
CCW 270



Counter-Clockwise
Bottom Angular
Up Blast
CCW 315

Optional Field Adjustable Positions

Notes:

- (1) Direction of rotation is determined from the drive side of fan. **Standard position is up-blast CCW 360.**
- (2) On single inlet fans, drive side is always considered as the side opposite fan inlet.
- (3) Clockwise available upon request.